

6

5

4

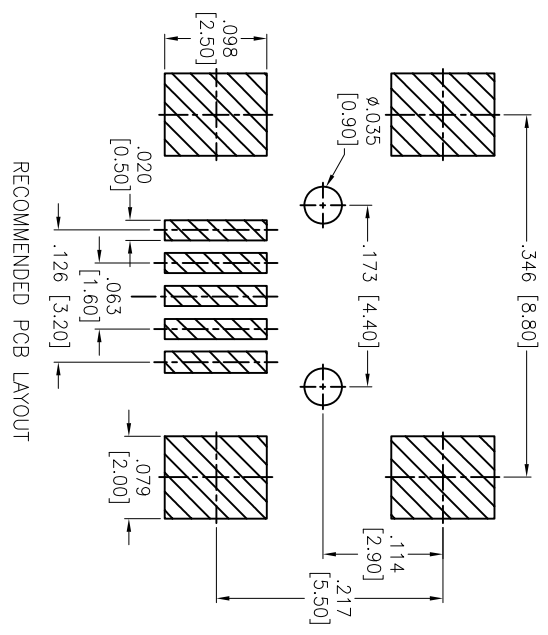
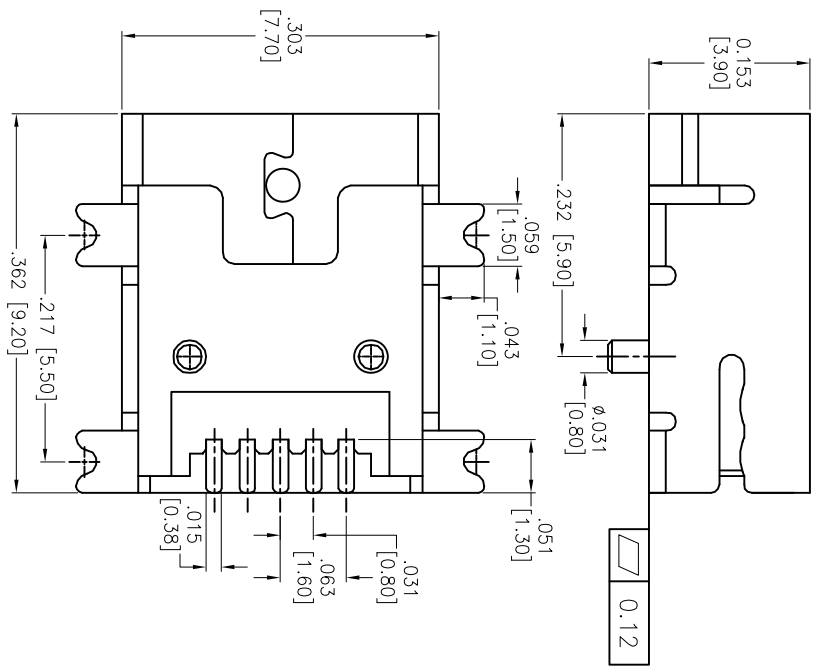
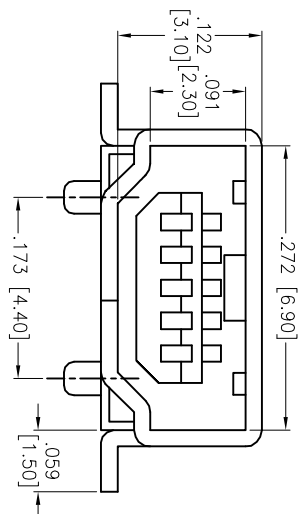
3

2

1

APPROVED: _____
 DATE: _____ TITLE: _____

| Rev | AWO # | Description | Date | Appr |
|-----|-------|-------------------|----------|------|
| - | | RELEASED | 12/3/04 | |
| A | | UPDATED WITH ROHS | 12/7/06 | |
| B | | REVISED SPEC. | 12/16/10 | |
| C | | REDRAWN | 04/02/13 | |
| D | | ADDED DIMENSIONS | 2/16/15 | SS |



SPECIFICATIONS:

Material: Insulator: Hi-Temp Thermoplastic, rated UL 94V-0
 Insulator color: Black
 Contacts: Phosphor Bronze
 Shell: Copper Alloy, Nickel plated
 Plating: Gold Flash over Nickel underplate on contact area, Tin over Copper underplate on SMT tails
 Electrical: Operating voltage: 30 VAC max.
 Current rating: 1 Amp max.
 Contact resistance: 50 mohms max.
 Insulation resistance: 100 Mohms min. @ 500 VDC
 Dielectric withstanding voltage: 100 VAC for 1 minute
 Temperature Rating: Operating temperature: -20°C to +60°C
 Environmental: Lead free, RoHS compliant.



| | |
|--|-------------|
| UNLESS OTHERWISE SPECIFIED ALL DIMENSIONS ARE INCHES [MM] | |
| TOLERANCES: EXCEPT AS NOTED | |
| INCHES | HOLES |
| .X ± .10 | ØXX ± .10 |
| .XX ± .020 | ØXXX ± .015 |
| .XXX ± .015 | ØXXX ± .010 |
| APPROVALS | DATE |
| DRAWN | SS |
| CHECKED | 10/4/04 |
| APPROVED | |

ADAM TECH
 909 Railway Avenue, Union, NJ 07083
 Phone: 908-687-5000 Fax: 908-687-5710

TITLE: MINI USB, TYPE A, 5 PIN, SINGLE PORT
 RIGHT ANGLE, SMT

SIZE: X
 PART NO.: MUSB-A-S-RA-TSMT
 REF: S00036C
 SCALE: NTS
 SHEET 1 OF 1

6

5

4

3

2

1