

6

5

4

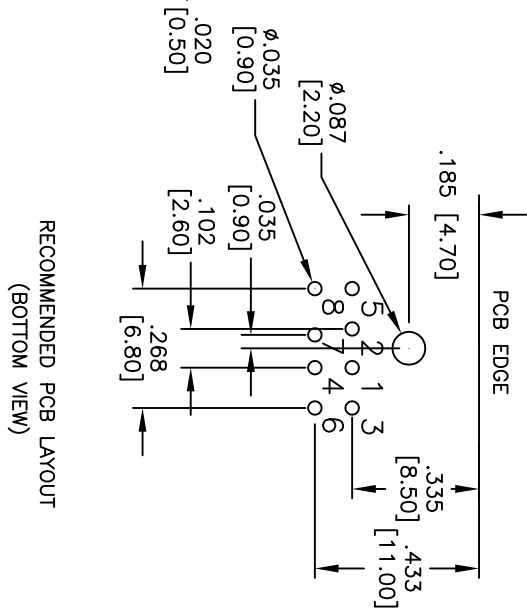
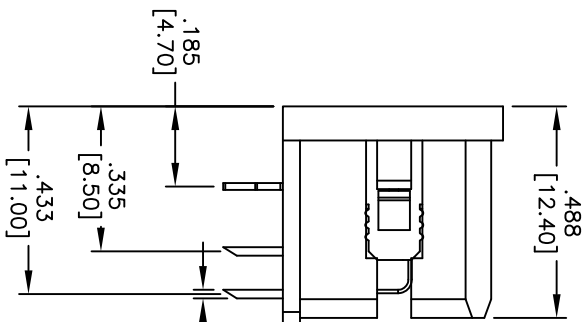
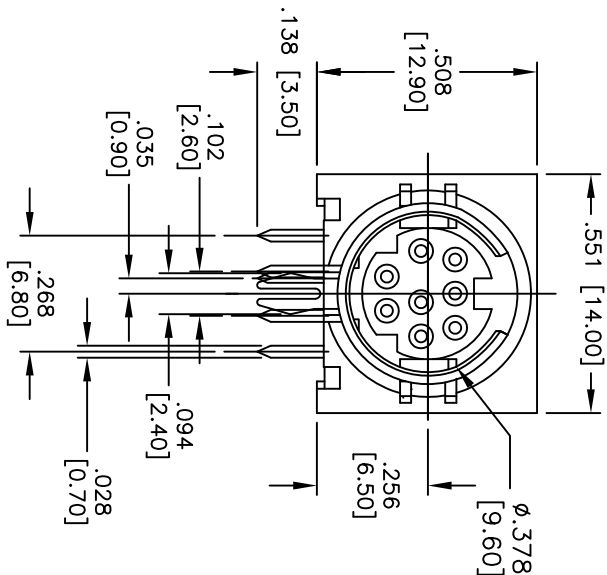
3

2

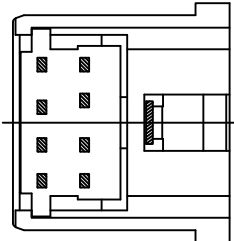
1

APPROVED: \_\_\_\_\_  
 DATE: \_\_\_\_\_ TITLE: \_\_\_\_\_

Rev	AWO #	Description	Date	Appr
-		RELEASED	12/29/04	
A		REDRAWN	7/06/09	
B		REDRAWN	6/22/12	



RECOMMENDED PCB LAYOUT  
(BOTTOM VIEW)



MATING FACE CONFIGURATIONS					
MDJ-003	MDJ-004	MDJ-005	MDJ-006	MDJ-007	MDJ-008

**SPECIFICATIONS:**

Material:

Insulator: PBT, glass filled, rated UL 94V-0

Insulator color: Black

Contacts: Copper alloy

Plating:

Gold over Nickel underplate on contact area,  
Tin over Copper underplate on tails

Electrical:

Operating voltage: 100 VAC/12 VDC max.

Current rating: 1 Amp max./2 Amps max.

Contact resistance: 30 mohms max. initial

Insulation resistance: 100 Mohms min.

Dielectric withstanding voltage: 250 VAC for 1 minute

Temperature Rating:

Operating temperature: -25°C to +70°C

Environmental:

Lead free, RoHS compliant.



**ADAM TECH**

909 Rahway Avenue, Union, NJ 07083  
 Phone: 908-687-5000 Fax: 908-687-5710

MINI DIN JACK, RIGHT ANGLE, PCB

UNLESS OTHERWISE SPECIFIED ALL DIMENSIONS ARE INCHES [MM]	
TOLERANCES: EXCEPT AS NOTED	
INCHES	HOLDS
.X ± .10	ØX ± .10
.XX ± .020	ØXX ± .015
.XXX ± .015	ØXXX ± .010
APPROVALS	DATE
DRAWN	SS
CHECKED	12/29/04
APPROVED	

TITLE		PART NO.		REV.
MINI DIN JACK, RIGHT ANGLE, PCB		MDJ-00X		B
SIZE	SCALE	SHEET	1 OF 1	
X	NTS	1		
REF: S00095T				

6

5

4

3

2

1