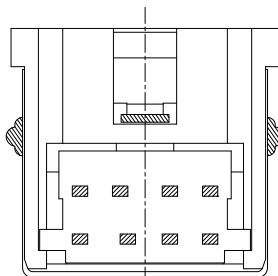
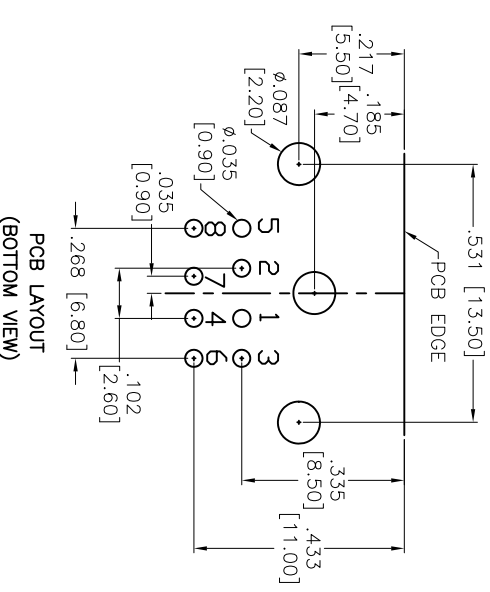
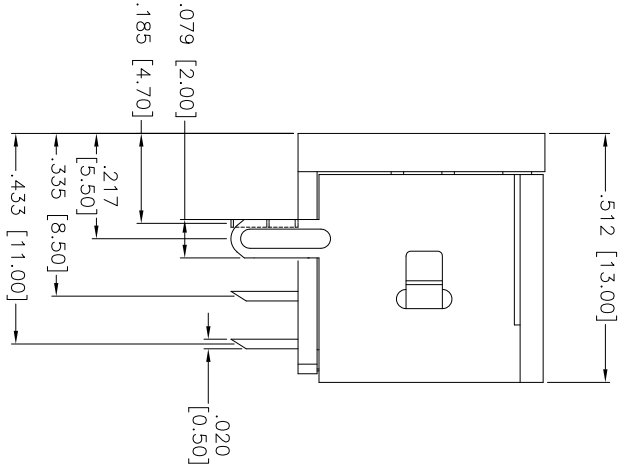
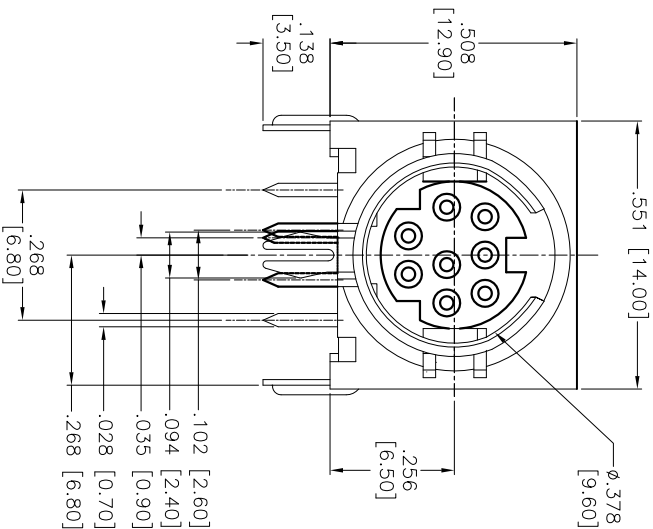


Rev	AWO #	Description	Date	Appr
-		RELEASED	12/22/05	
A		REDRAWN	11/13/07	
B		REDRAWN	7/28/15	AY/MW

APPROVED: _____
 DATE: _____ TITLE: _____



MATING FACE CONFIGURATIONS			
MDJ-003-S	MDJ-004-S	MDJ-005-S	

SPECIFICATIONS:

- Material: Insulator: PBT, Glass reinforced, rated UL 94V-0
- Insulator color: Black
- Contacts: Phosphor Bronze
- Shell: SPCC, Nickel plated
- Ground terminal: Brass, Tin plated
- Plating: Gold over Nickel underplate on contact area, Tin over Copper underplate on PCB tails
- Electrical: Current rating: 1 Amp @ 100V AC, 2 Amps @ 12V DC
- Contact resistance: 30 mohms max
- Insulation resistance: 100 Mohms min @ 500 VDC
- Dielectric withstanding voltage: 250 VAC for 1 minute
- Environmental: Lead free, RoHS Compliant

ADAM TECH

909 Railway Avenue, Union, NJ 07083
 Phone: 908-687-5000 Fax: 908-687-5710

MINI DIN JACK, RIGHT ANGLE, SHIELDED
 2 THRU 8 POSITION, PCB MOUNT

UNLESS OTHERWISE SPECIFIED ALL DIMENSIONS ARE INCHES [MM] TOLERANCES: EXCEPT AS NOTED		INCHES		HILES	
.X	± .10	ØXX	± .10		
.XX	± .020	ØXXX	± .015		
.XXX	± .015	ØXXXX	± .010		
APPROVALS		DATE			
DRAWN	SS	12/22/05			
CHECKED					
APPROVED					
TITLE		SIZE	PART NO.	REV.	
MINI DIN JACK, RIGHT ANGLE, SHIELDED 2 THRU 8 POSITION, PCB MOUNT		X	MDJ-00X-S	B	
REF:	S00095T	SCALE:	NIS	SHEET	1 OF 1

