

INTRODUCTION:

Adam Tech FCP Series IDC Box Headers are designed to quickly and easily mass terminate .050" flat cable. The IDC termination is converted to a Shrouded Box Header output with a polarizing slot that mates with standard IDC sockets. This connector is ideal for splicing and making "T" taps to a cable bus. Adam Tech's sturdy design features solid, selectively gold plated .025"sq. copper alloy posts.

FEATURES:

IDC Cable to Shrouded Box Header
Mates with standard IDC sockets
Ideal for splicing and "T" taps to cable bus
Solid selectively gold plated contacts

MATING CONNECTORS:

Mates with Adam Tech Series .100" [2.54mm] dual row IDC sockets

SPECIFICATIONS:

Material:

Insulator: PBT, rated UL94V-0
Insulator Color: Gray
Contacts: Brass

Contact Plating:

Gold flash (30 µin optional) over nickel underplate on contact area, tin over copper underplate on IDC area

Electrical:

Operating voltage: 250V AC max.
Current rating: 1 Amp max
Contact resistance: 30 mΩ max. initial
Insulation resistance: 5000 MΩ min.
Dielectric withstanding voltage: 1000V AC for 1 minute

Mechanical:

Insertion force: 0.5 lbs per circuit max.
Withdrawal force: 0.094 lbs per circuit min
Mating durability: 500 cycles min.
Recommended cable size: 28 Awg stranded

Temperature Rating:

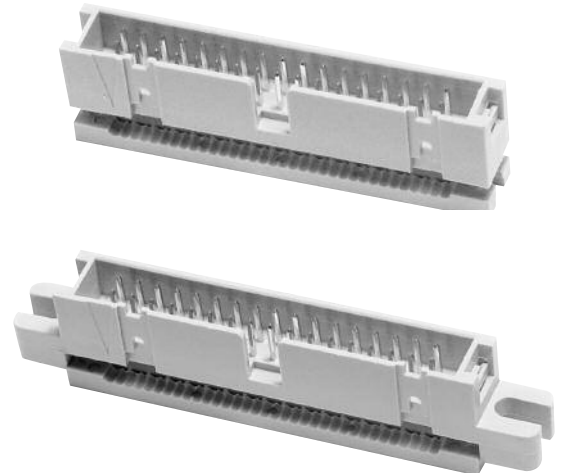
Operating temperature: -55°C to +105°C

PACKAGING:

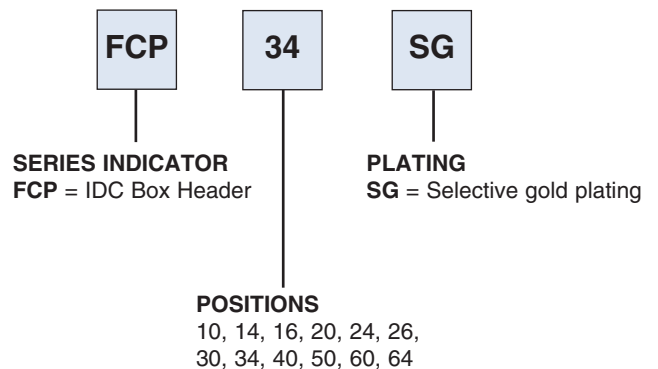
Anti-ESD plastic trays

SAFETY AGENCY APPROVALS:

UL Recognized File No. E224053
CSA Certified File No. LR1578596



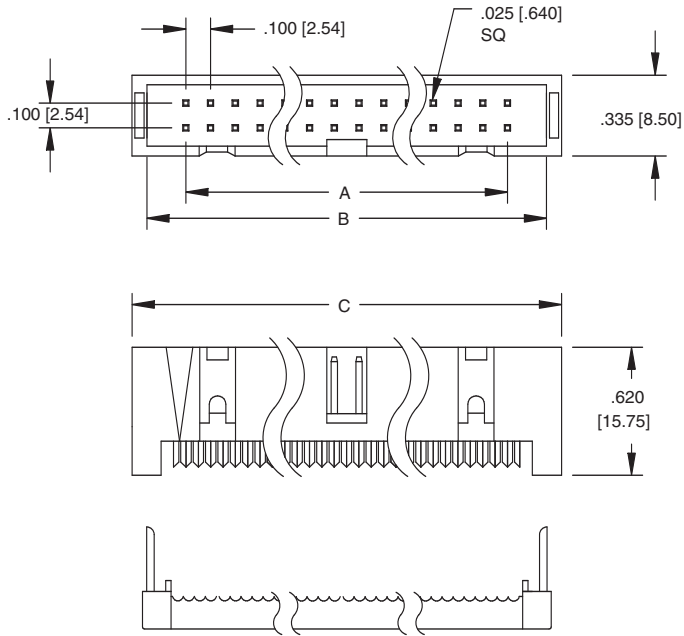
ORDERING INFORMATION



OPTIONS:

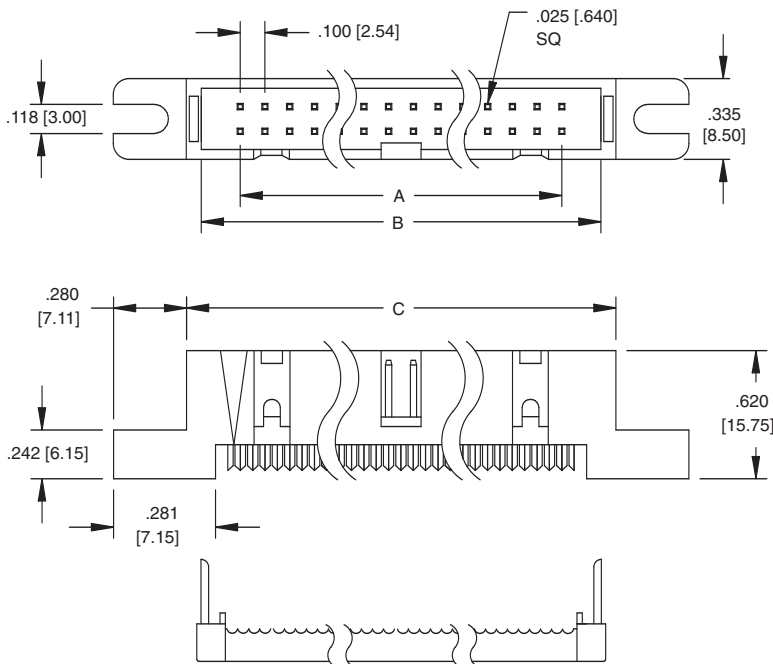
Add designator(s) to end of part number
E = Mounting Ears
30 = 30 µin gold plating in contact area
BK = Black color insulator

FCP HEADER



FCP-34-SG

FCP HEADER WITH MOUNTING EAR OPTION



FCP-34-SG-E

POS.	DIMENSIONS		
	A	B	C
10	.400 [10.16]	.708 [18.00]	.905 [23.00]
14	.600 [15.24]	.908 [23.08]	1.105 [28.08]
16	.700 [17.78]	1.008 [25.62]	1.205 [30.62]
20	.900 [22.86]	1.208 [30.70]	1.405 [35.70]
24	1.100 [27.94]	1.408 [35.78]	1.605 [40.78]
26	1.200 [30.48]	1.508 [38.32]	1.705 [43.32]
30	1.400 [35.56]	1.708 [43.40]	1.905 [48.40]
34	1.600 [40.64]	1.908 [48.48]	2.105 [53.48]
40	1.900 [48.26]	2.208 [56.10]	2.405 [61.10]
50	2.400 [60.96]	2.708 [68.80]	2.905 [73.80]
60	2.900 [73.66]	3.208 [81.50]	3.405 [86.50]
64	3.100 [78.74]	3.408 [86.58]	3.605 [91.58]

INTRODUCTION:

Adam Tech MHF Series IDC Latch Headers are designed to quickly and easily mass terminate .050" flat cable. The IDC termination is converted to a Shrouded Box Header with ejector/latches and a polarizing slot that mates with standard IDC sockets. This connector is ideal for splicing and making "T" taps to a cable bus. Adam Tech's sturdy design features solid, selectively gold plated .025"sq. copper alloy posts.

FEATURES:

- Latches for secure attachment
- Latch ejection feature makes socket removal easy
- IDC Cable to Shrouded Box Header
- Mates with standard IDC sockets
- Ideal for splicing and "T" taps to cable bus
- Solid selectively gold plated contacts

MATING CONNECTORS:

Mates with Adam Tech Series .100" (2.54mm) dual row IDC sockets

SPECIFICATIONS:

Material:

Insulator: PBT, rated UL94V-0
Insulator Color: Gray
Contacts: Brass

Contact Plating:

Gold flash (30 µin optional) over nickel on contact area,
Tin over copper underplate on IDC area

Electrical:

Operating voltage: 250V AC max.
Current rating: 1 Amp max
Contact resistance: 20 mΩ max. initial
Insulation resistance: 5000 MΩ min.
Dielectric withstanding voltage: 1000V AC for 1 minute

Mechanical:

Insertion force: 0.5 lbs per circuit max.
Withdrawal force: 0.094 lbs per circuit min
Mating durability: 500 Cycles min.
Recommended cable size: 28 Awg stranded

Temperature Rating:

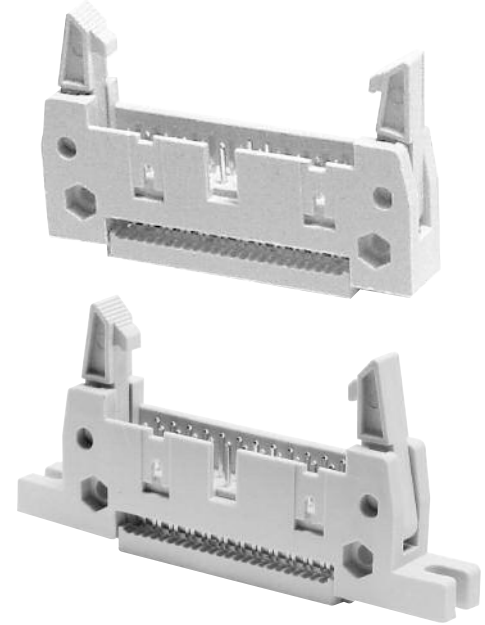
Operating temperature: -40°C to +105°C

PACKAGING:

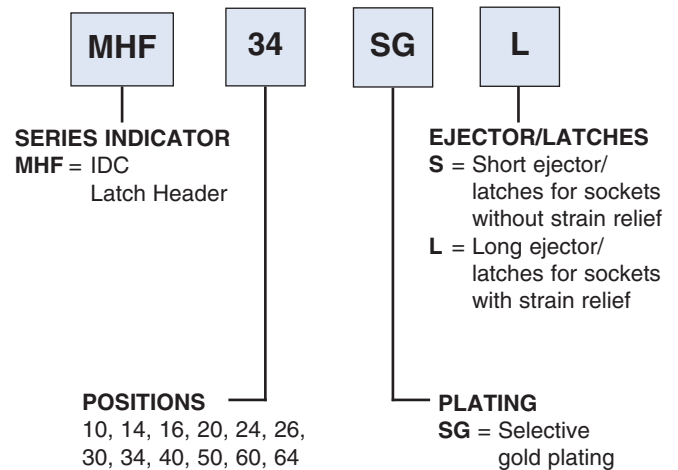
Anti-ESD plastic trays

SAFETY AGENCY APPROVALS:

UL Recognized File No. E224053
CSA Certified File No. LR1578596



ORDERING INFORMATION

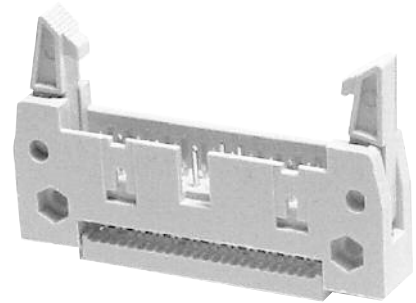
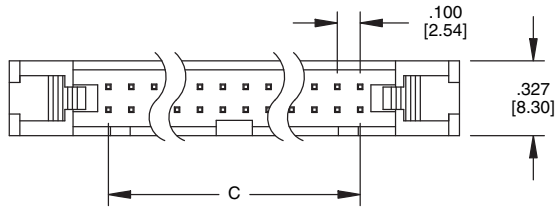


OPTIONS:

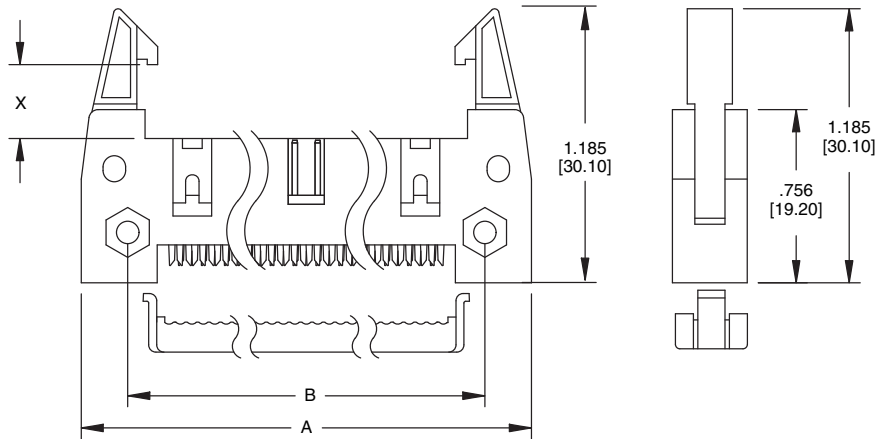
Add designator(s) to end of part number
E = Mounting ears



MHF HEADER



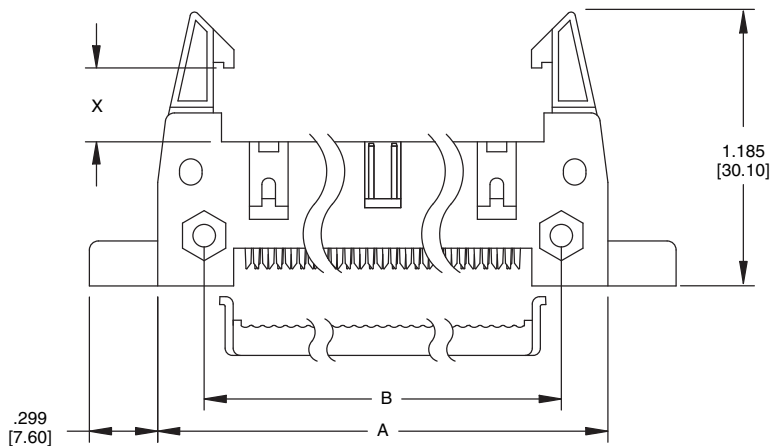
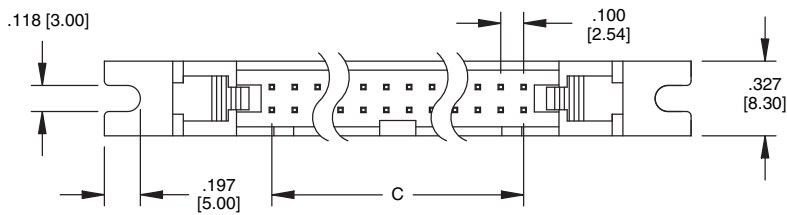
MHF-34-SGL



Short Latch (No Strain Relief Type)
X = .236 [6.00]

Long Latch (Strain Relief Type)
X = .315 [8.00]

MHF HEADER WITH MOUNTING EAR OPTION



PART NO. & POSITIONS	DIMENSIONS		
	A	B	C
MHF-10	1.266 [32.17]	.860 [21.85]	.400 [10.16]
MHF-14	1.466 [37.25]	1.060 [26.93]	.600 [15.24]
MHF-16	1.566 [39.79]	1.160 [29.47]	.700 [17.78]
MHF-20	1.766 [44.87]	1.360 [34.55]	.900 [22.86]
MHF-24	1.966 [49.95]	1.560 [39.63]	1.100 [27.94]
MHF-26	2.066 [52.49]	1.660 [42.17]	1.200 [30.48]
MHF-30	2.266 [57.57]	1.860 [47.25]	1.400 [35.56]
MHF-34	2.466 [62.65]	2.060 [52.33]	1.600 [40.64]
MHF-40	2.766 [70.27]	2.360 [59.95]	1.900 [48.26]
MHF-50	3.266 [82.97]	2.860 [72.65]	2.400 [60.96]
MHF-60	3.766 [95.67]	3.360 [85.34]	2.900 [73.66]
MHF-64	3.966 [100.75]	3.560 [90.43]	3.100 [78.74]