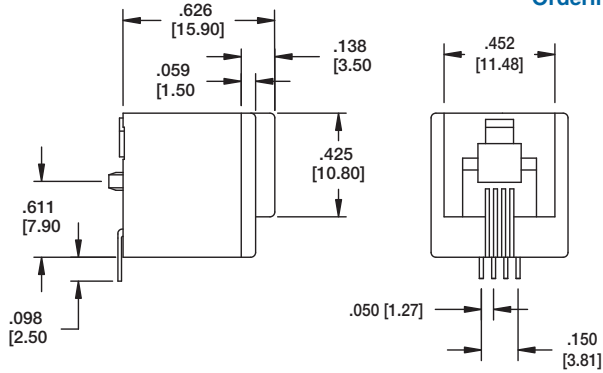
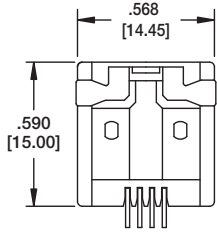


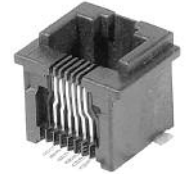
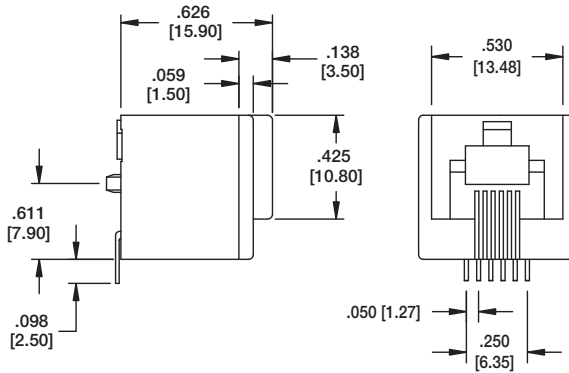
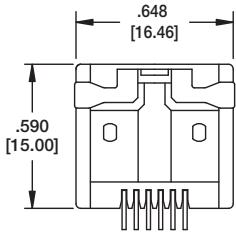
Ordering Information pg. 9

**TYPE V
4P4C**



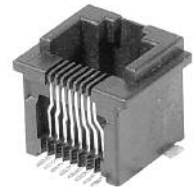
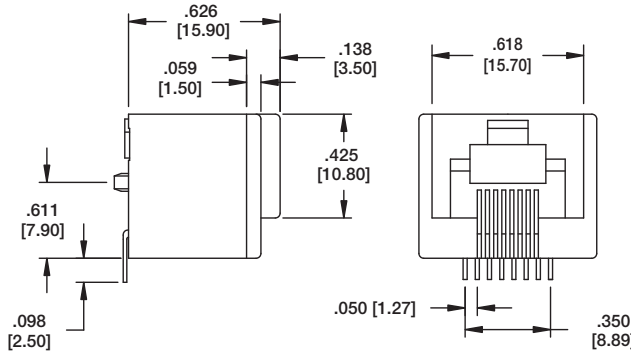
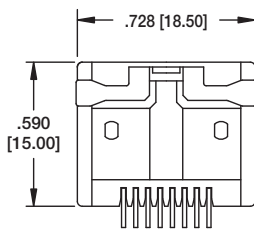
MTJ-44VX1

**TYPE V
6P6C
6P4C**



MTJ-66VX1

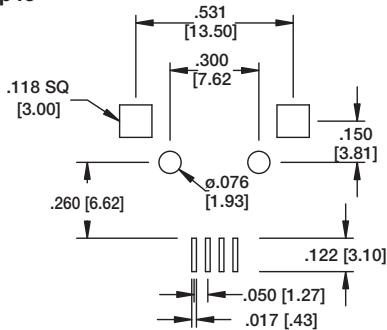
**TYPE V
8P8C**



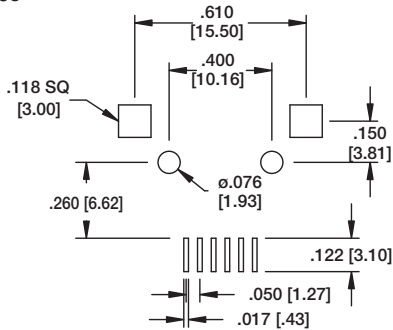
MTJ-88VX1

Recommended PCB Layout

4p4c



6p6c



8p8c

