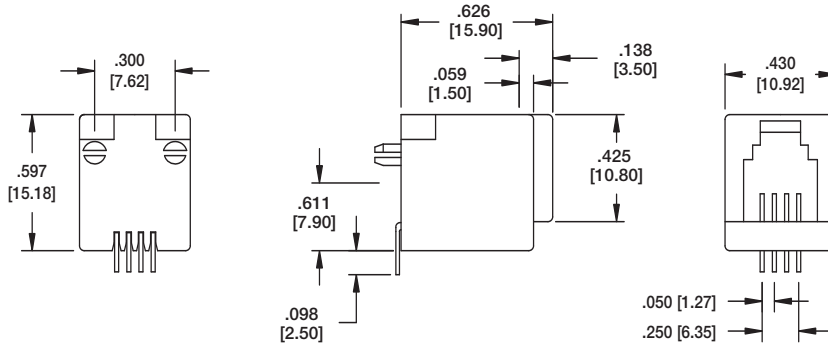


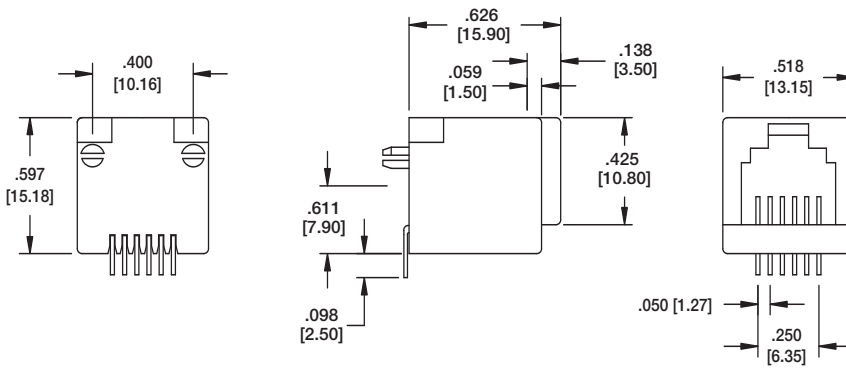
Ordering Information pg. 9

TYPE K
4P4C



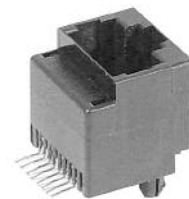
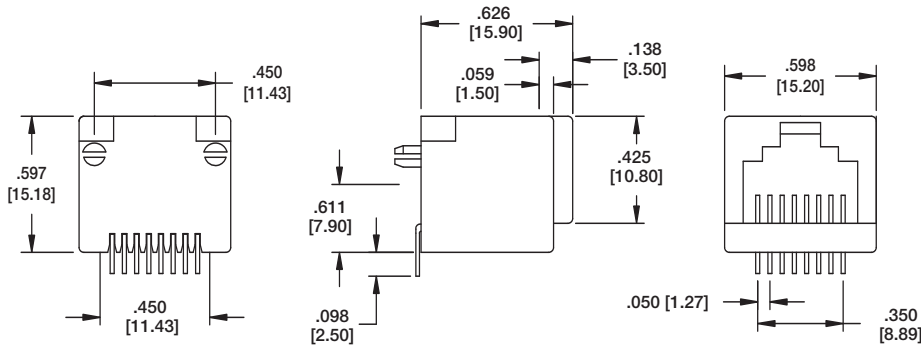
MTJ-44KX1

TYPE K
6P4C
6P6C



MTJ-66KX1

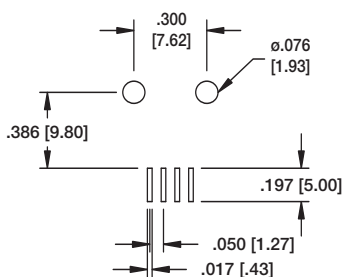
TYPE K
8P8C



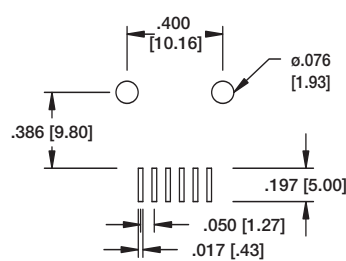
MTJ-88KX1

Recommended PCB Layout

4p4c



6p6c



8p8c

