

INTRODUCTION:

Adam Tech 2FB Series 2.00mm Futurebus Backpanel connectors are a two piece connector system comprised of vertical male headers and right angle receptacles. This high density, high speed signal connector set connects PC boards to backplanes. They are widely used in networking, telecom and high speed computing applications. Adam Tech's specially designed Press-Fit tails offer fast, solderless attachment to printed circuit boards. Our connector bodies are manufactured from high-temp, glass filled LCP thermoplastic and our contacts are specially designed for improved signal performance. These headers and sockets offer the convenience of end to end stacking. They are industry compatible, and intermateable with other connectors manufactured to Future Bus standards.

FEATURES:

- Industry standard 2.00 Backplane system
- Two piece mated design
- High density & end to end stackable
- High Speed, improved signal performance
- Superior grounding and Shielding

MATING CONNECTORS:

Adam Tech 2FB series and All industry standard 2.0mm Future Bus Connectors.

SPECIFICATIONS:

Material:

Standard Hi-Temp insulator: LCP, glass filled, rated UL94V-0
Insulator Color: Gray
Contacts: Brass or Phosphor Bronze

Contact Plating:

Gold over Nickel on contact area, Tin over Copper underplate on tails

Electrical:

Operating voltage: 500V AC max.
Current rating: 1 Amp max
Contact resistance: 30 mΩ max. initial
Insulation resistance: 1000 MΩ min.
Dielectric withstanding voltage: 500V AC for 1 minute

Mechanical:

Insertion force: 0.101 lbs / contact max.
Withdrawal force: 0.045 lbs / contact min

Temperature Rating:

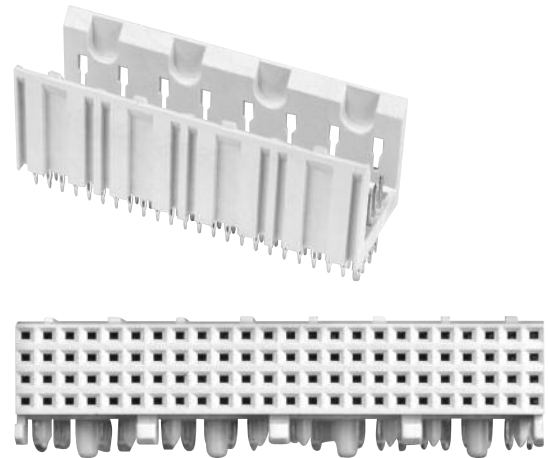
Operating temperature: -65°C to +125°C
Soldering process temperature: 260°C

PACKAGING:

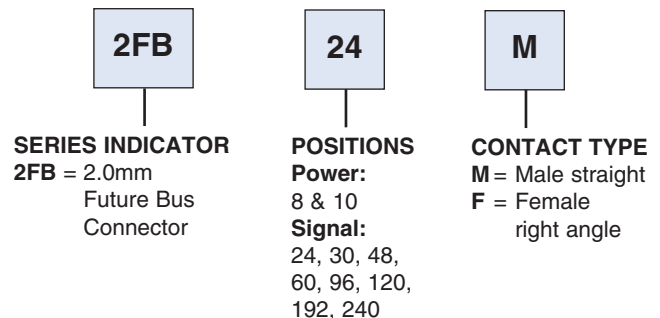
Anti-static plastic tubes

APPROVALS AND CERTIFICATIONS:

UL Recognized File No. E224053
CSA Certified File No. LR1578596



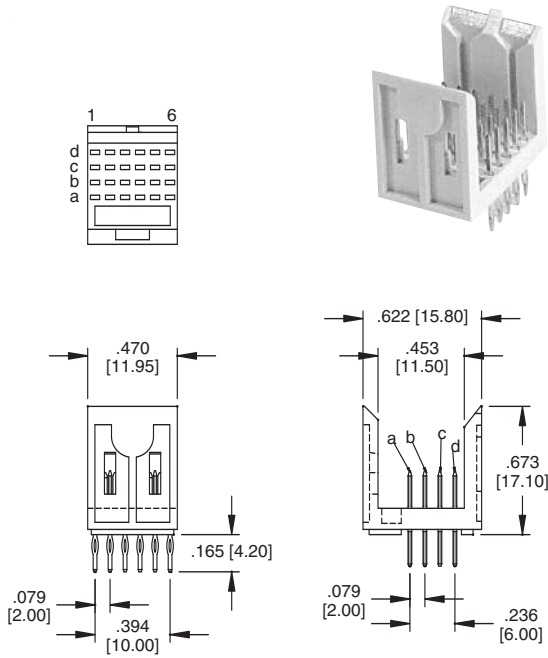
ORDERING INFORMATION



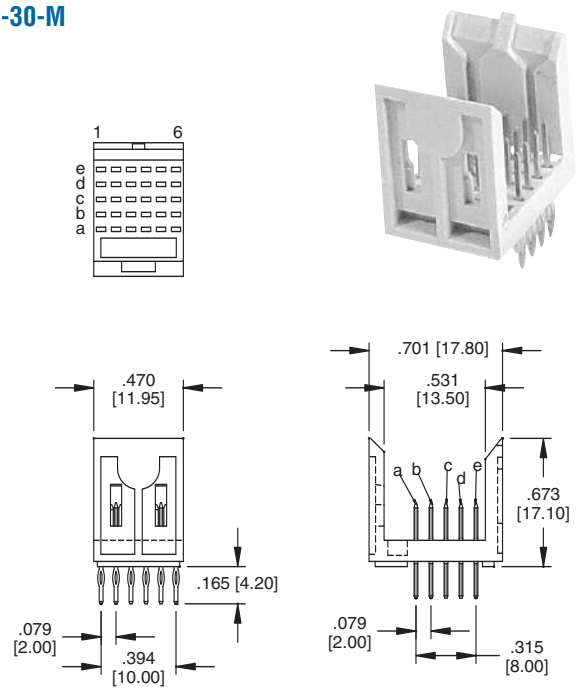
OPTIONS:

Add designator(s) to end of part number
30 = 30 μm gold plating in contact area
Custom pin lengths available

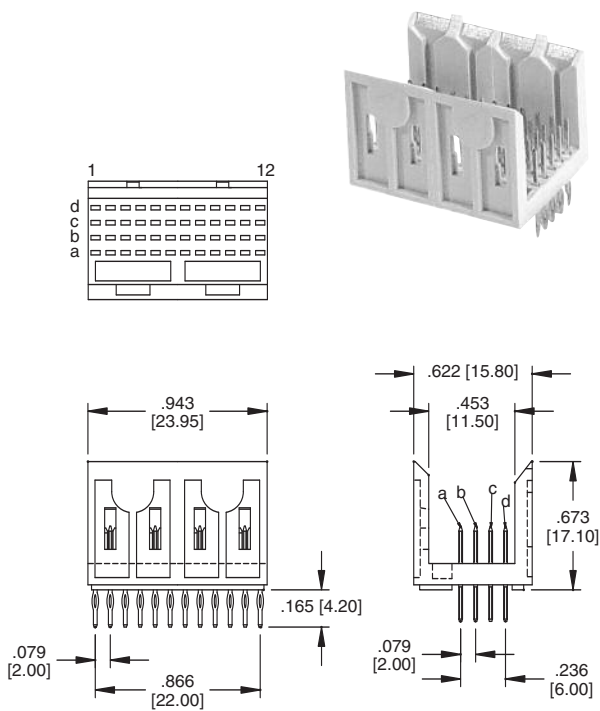
2FB-24-M



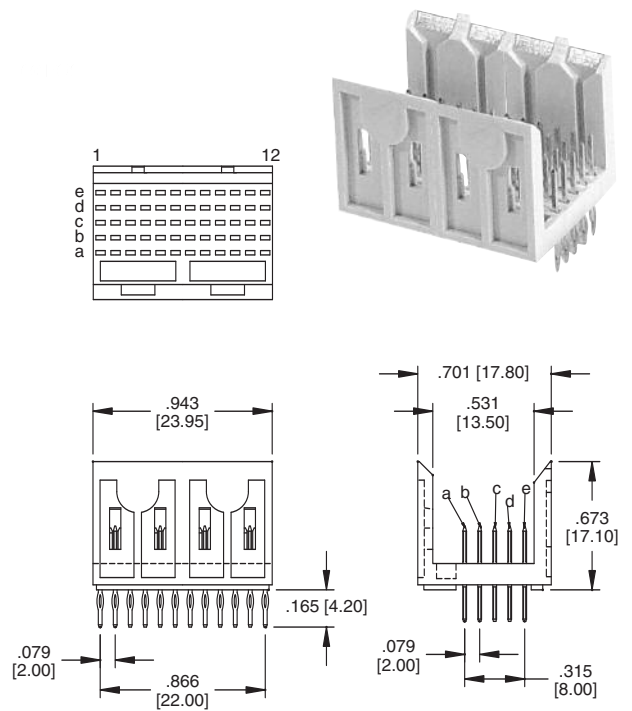
2FB-30-M



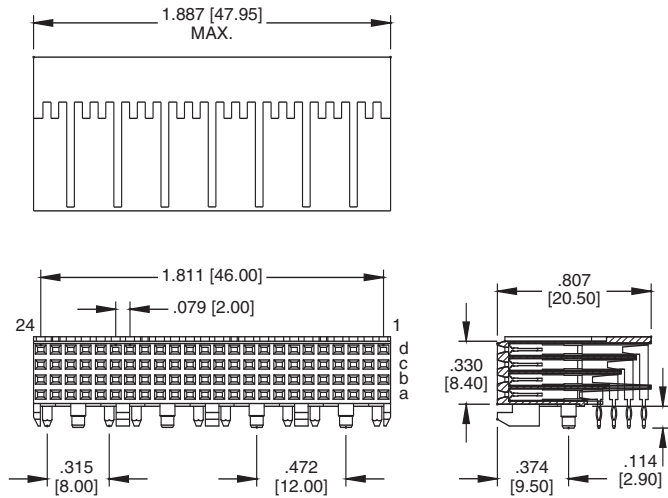
2FB-48-M



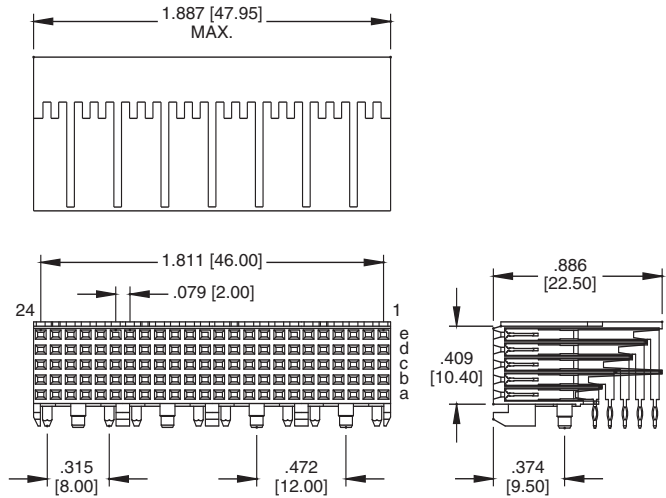
2FB-60-M



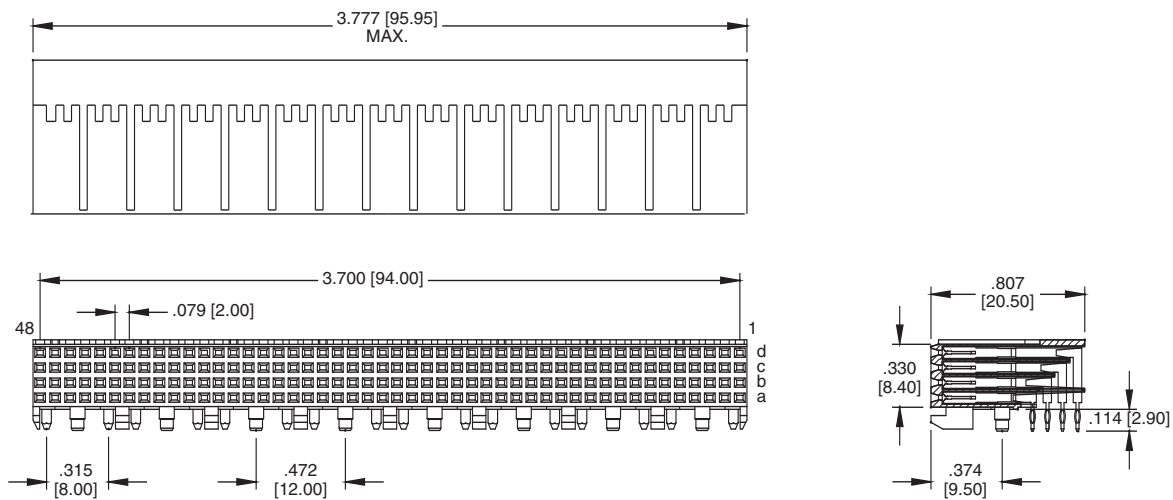
2FB-96-F



2FB-120-F



2FB-192-F



2FB-240-F

