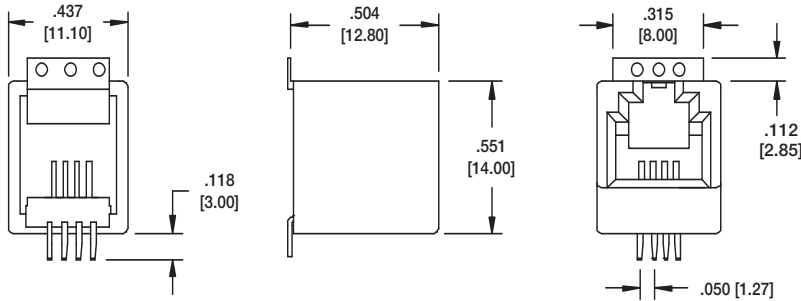


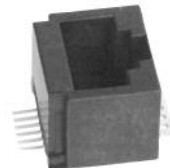
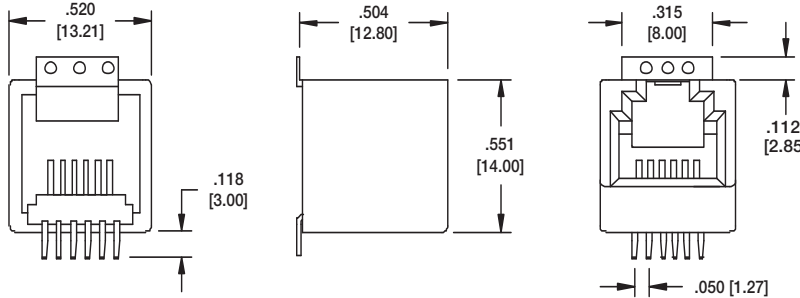
Ordering Information pg. 9

**TYPE H**  
4P4C



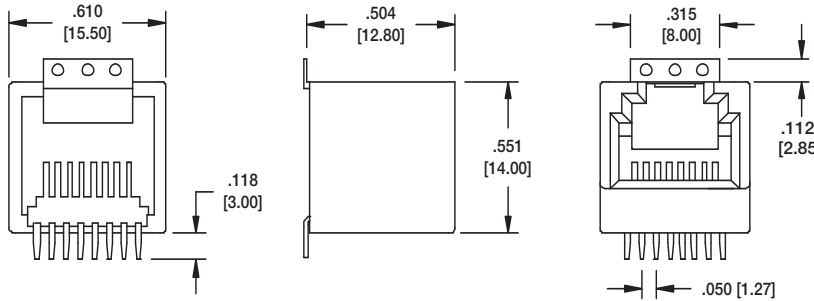
**MTJ-44HX1**

**TYPE H**  
6P6C



**MTJ-66HX1**

**TYPE H**  
8P8C



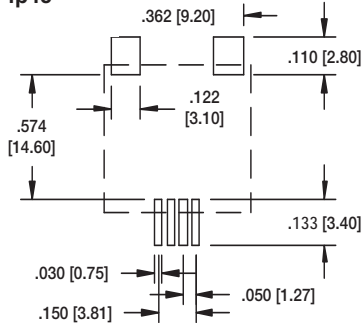
**MTJ-88HX1**



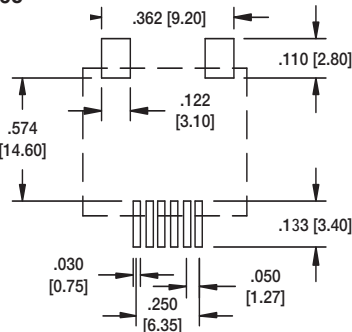
**MTJ-88HX1-FS**

**Recommended PCB Layout**

**4p4c**



**6p6c**



**8p8c**

