

#### INTRODUCTION:

Adam Tech MDJ Series Mini DIN Jacks continue to be a popular, high density, low cost, low profile interconnect solution. Available in a multitude of styles and configurations, they are able to satisfy a broad range of applications. This series offers jacks in 3 thru 9 positions with straight, right angle or panel mounting and offers choice of four different shielding and panel grounding options. Color-coded jacks for port identification are also available. Adam Tech's special contact design offers a high reliability connection with extremely low contact resistance.

#### FEATURES:

Wide Range of Styles  
 Right Angle, Straight and Panel Mount types  
 Shielding Options for EMI/RFI suppression  
 Color-Coded versions

#### MATING PLUGS:

All industry standard circular Mini DIN plugs.

#### SPECIFICATIONS:

##### Material:

Standard insulator: PBT glass filled, rated UL94V-0  
 Optional Hi-Temp insulator: Nylon 6T, rated UL94V-0  
 Insulator Color: Black standard, custom colors available  
 Contacts: Phosphor Bronze  
 Shield: Copper Alloy, Tin Plated

##### Contact Plating:

Gold over Nickel underplate on contact area, tin over Copper underplate on tails

##### Electrical:

Operating voltage: 100V AC / 12V DC max.  
 Current rating: 1 Amp max. / 2 Amps max  
 Contact resistance: 20 mΩ max. initial  
 Insulation resistance: 500 MΩ min.  
 Dielectric withstanding voltage: 500V AC for 1 minute

##### Mechanical:

Insertion force: 9.9 lbs max.  
 Withdrawal force: 0.8 lbs min  
 Mating durability: 5000 cycles min.

##### Temperature Rating:

Operating temperature: -25°C to +70°C  
 Soldering process temperature:  
 Standard insulator: 235°C  
 Hi-Temp insulator: 260°C

#### PACKAGING:

Anti-ESD plastic trays

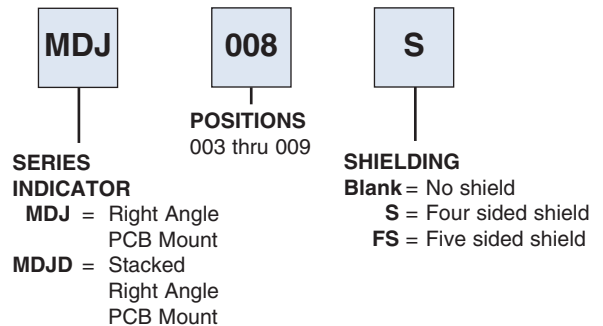
#### APPROVALS AND CERTIFICATIONS:

UL Recognized File No. E224053  
 CSA Certified File No. LR1578596

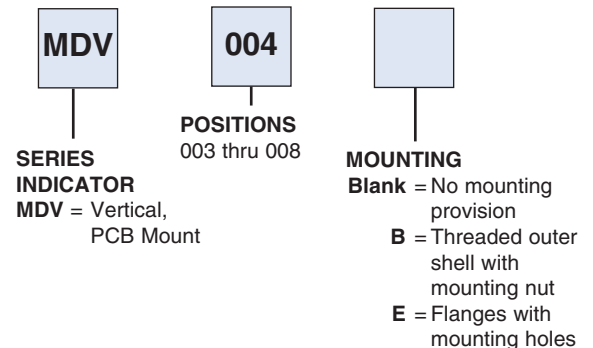


### ORDERING INFORMATION

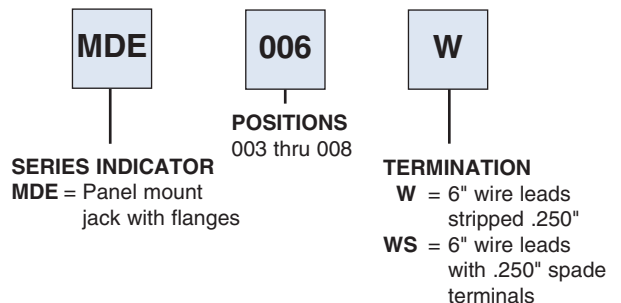
#### RIGHT ANGLE MOUNT



#### VERTICAL MOUNT

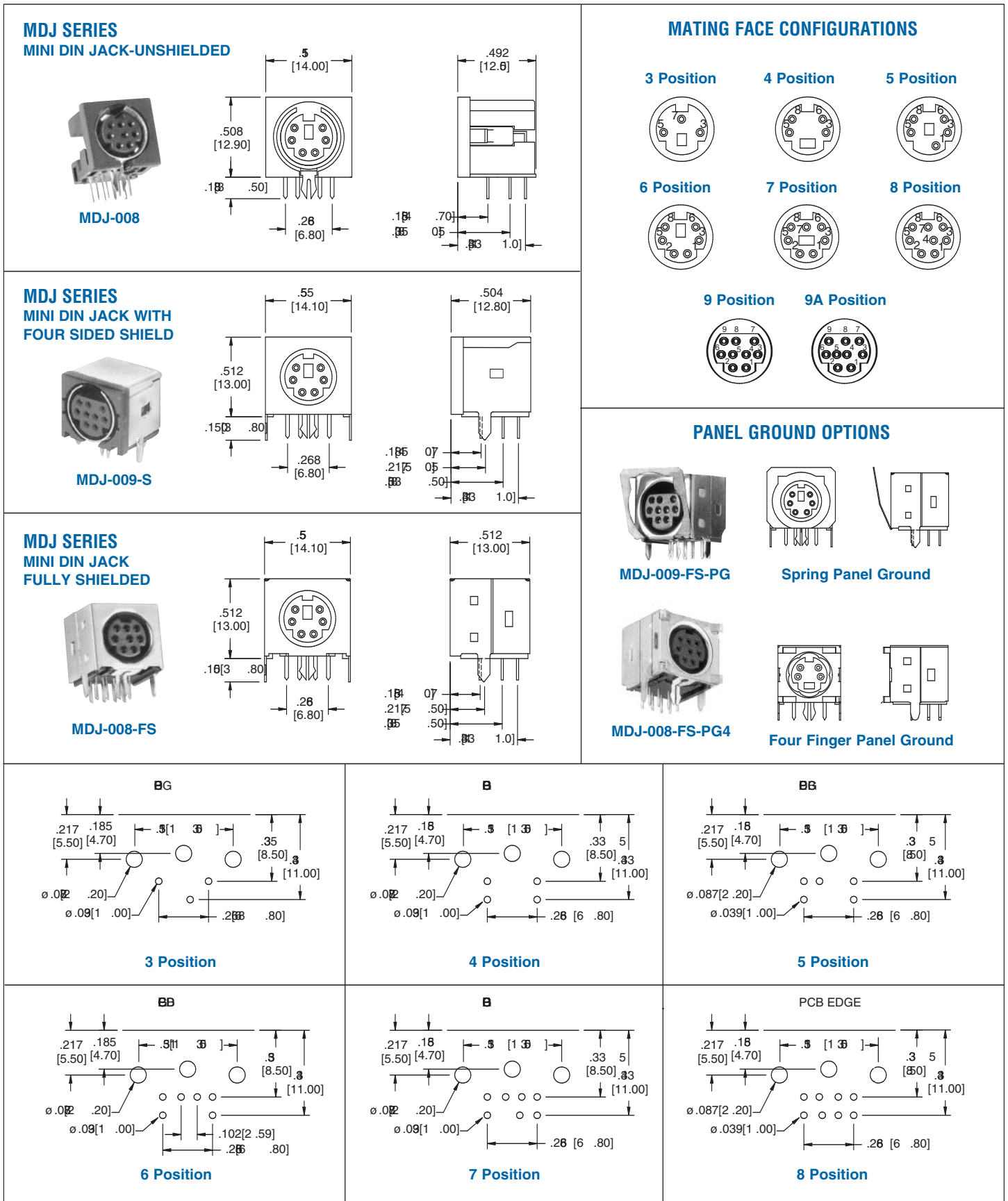


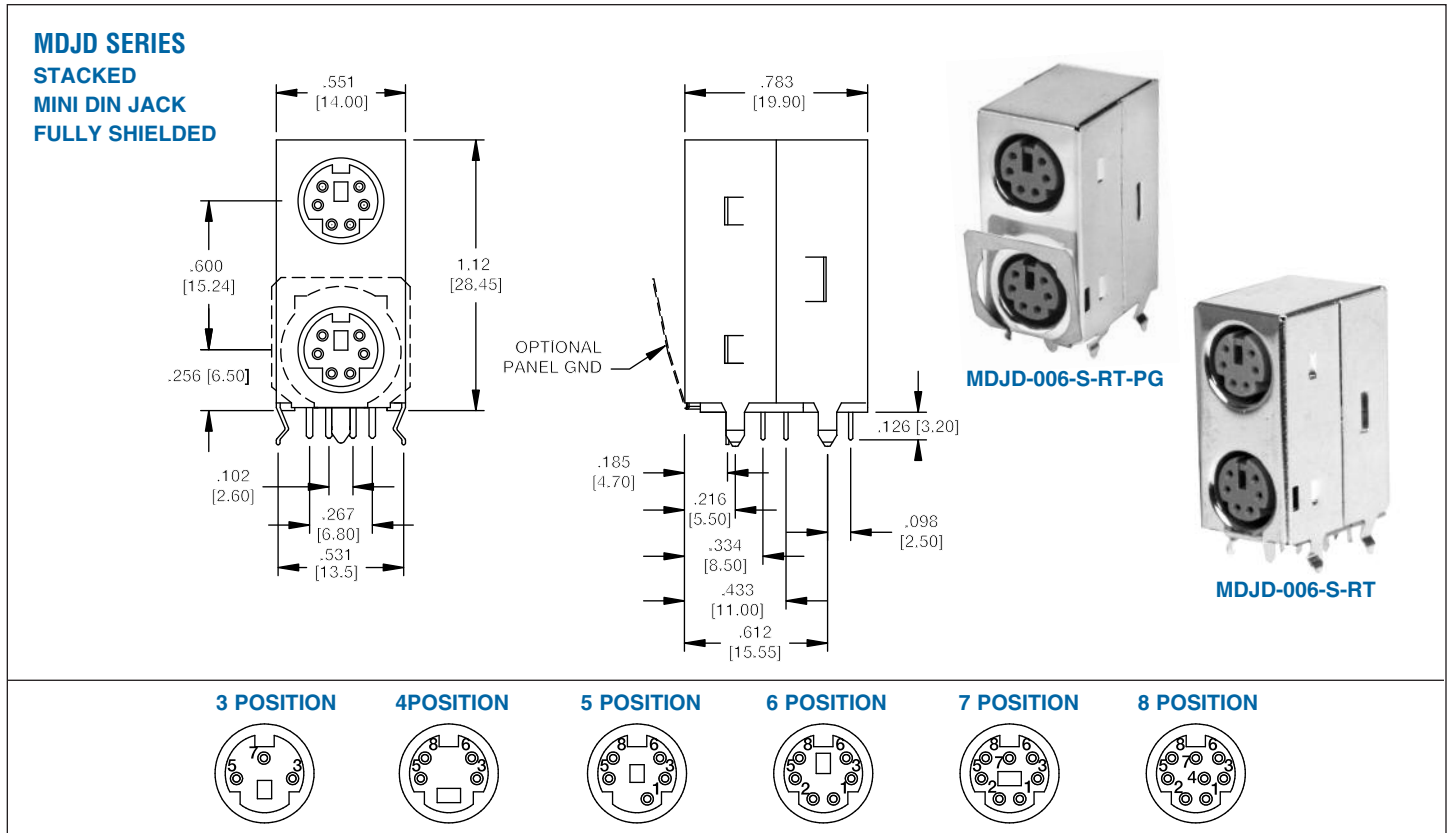
#### PANEL MOUNT



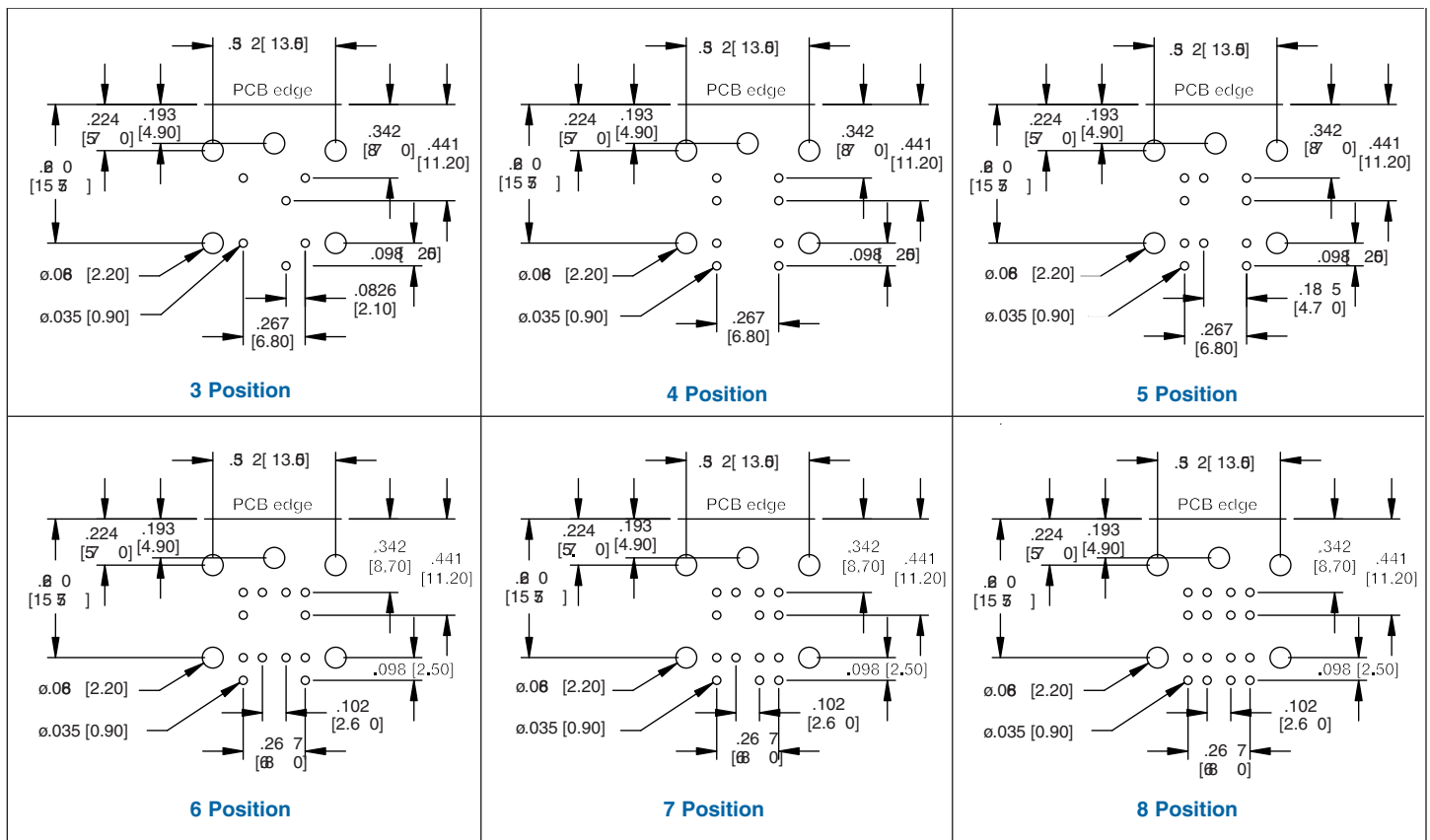
#### OPTIONS:

Add designator(s) to end of part number  
**RT** = PC board retention feature. On shielded units, crimped shield legs. On non-shielded units, forked grounding pin.  
**PG** = Spring panel ground  
**PG4** = Four finger panel ground  
**HT** = Hi-Temp insulator for Hi-Temp soldering processes up to 260°C  
**TGBP** = Top port color Green / Bottom port color Purple





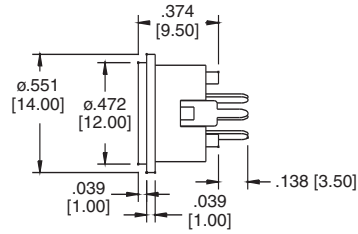
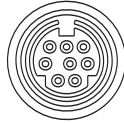
**Recommended PCB Layout**



**MDV SERIES**  
VERTICAL MINI DIN JACK



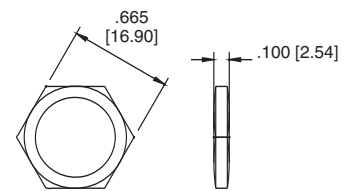
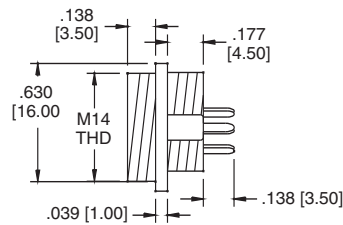
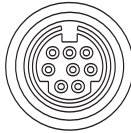
**MDV-008**



**MDV SERIES**  
VERTICAL MINI DIN JACK  
WITH THREADED SHELL

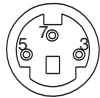


**MDV-005-B**

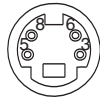


**MATING  
FACE  
CONFIGURATIONS**

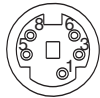
**3 POSITION**



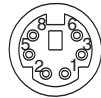
**4 POSITION**



**5 POSITION**



**6 POSITION**



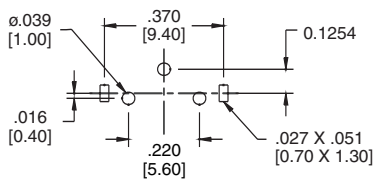
**7 POSITION**



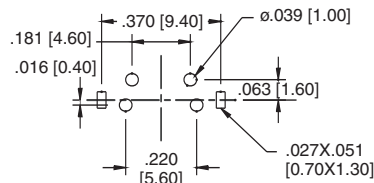
**8 POSITION**



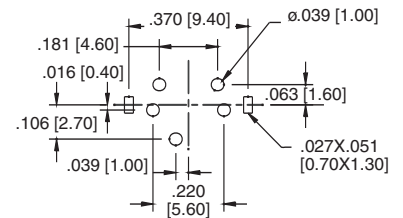
**Recommended PCB Layouts**



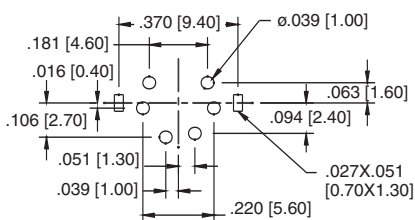
**3 Position**



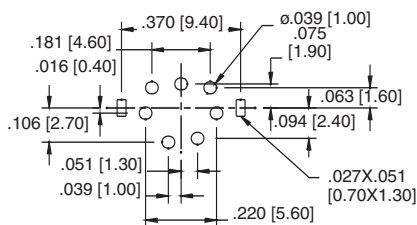
**4 Position**



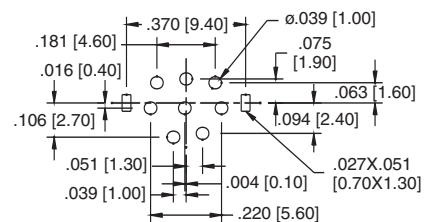
**5 Position**



**6 Position**



**7 Position**



**8 Position**

**INTRODUCTION:**

Adam Tech Mini DIN Power Jack and Plug system is specifically designed to incorporate power and signal transmissions in the same small low-profile package. This combination eliminates the need of separate power and signal components on the PC Board. In addition to component savings, labor is reduced and aesthetic value is increased by the reduction of additional cables. This system features three or four contact versions and a quick-lock mating system.

**FEATURES:**

- Combination signal and power
- Small, compact light weight design
- 3P & 4P available
- Shielded versions available

**MATING OPTIONS:**

Mates with all industry standard combination power jacks.

**SPECIFICATIONS:**

**Material:**

- Standard insulator: PBT glass filled, rated UL94V-0
- Optional Hi-Temp insulator: Nylon 6T, rated UL94V-0
- Insulator Color: Black standard, custom colors available
- Contacts: Phosphor Bronze
- Plastic Shell: PVC
- Shield: Copper Alloy, Tin Plated

**Contact Plating:**

Silver over Nickel underplate overall

**Electrical:**

- Operating voltage: 30V DC max.
- Current rating: Power contact: 7 Amps max.  
Signal contacts: 1 Amp max.
- Contact resistance: 20 mΩ max. initial
- Insulation resistance: 250 MΩ min.
- Dielectric withstanding voltage: 500V AC for 1 minute

**Mechanical:**

- Insertion force: 1.8 lbs max.
- Withdrawal force: 0.22 lbs min

**Temperature Rating:**

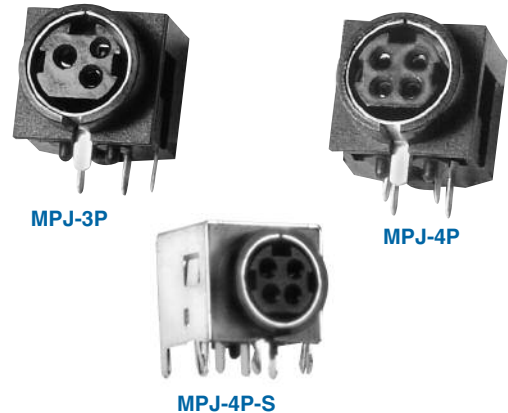
- Operating temperature: -25°C to +70°C
- Soldering process temperature:  
Standard insulator: 235°C  
Hi-Temp insulator: 260°C

**PACKAGING:**

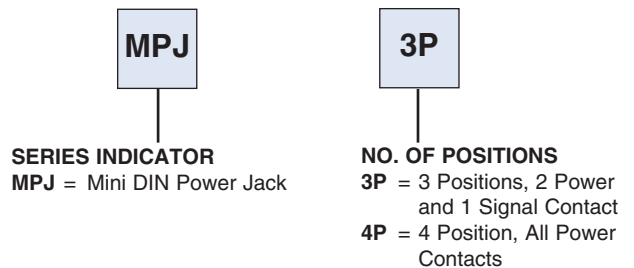
Anti-ESD plastic trays

**APPROVALS AND CERTIFICATIONS:**

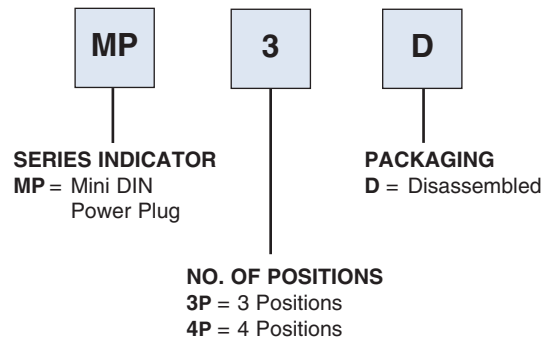
- UL Recognized File No. E224053
- CSA Certified File No. LR1578596



**ORDERING INFORMATION  
POWER JACK**



**POWER PLUG**

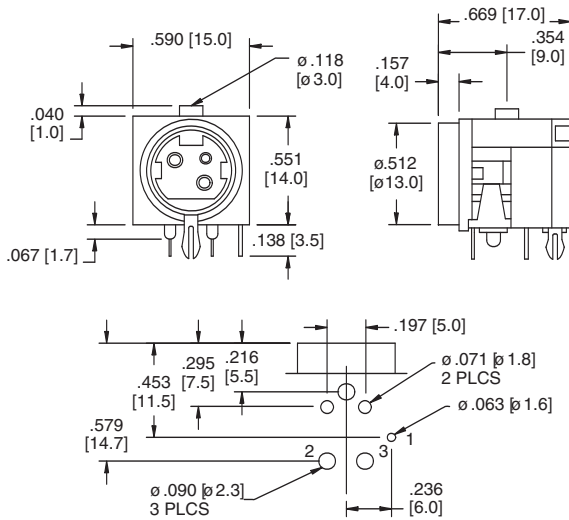


**OPTIONS:**

Add designator(s) to end of part number

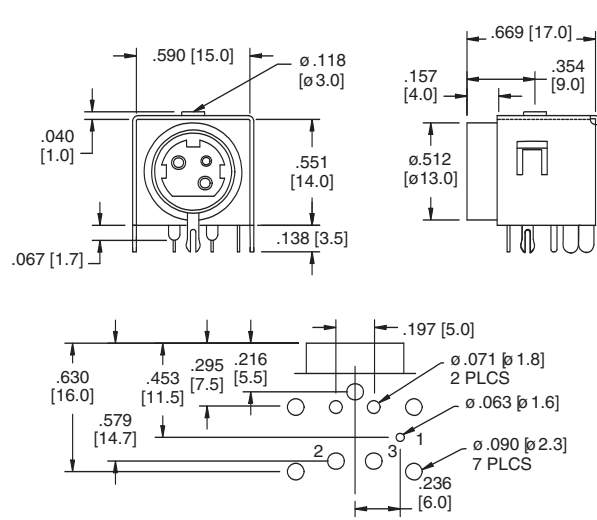
- S = Shielded
- HT = Hi-Temp insulator for Hi-Temp soldering processes up to 260°C

#### MPJ-3P UNSHIELDED



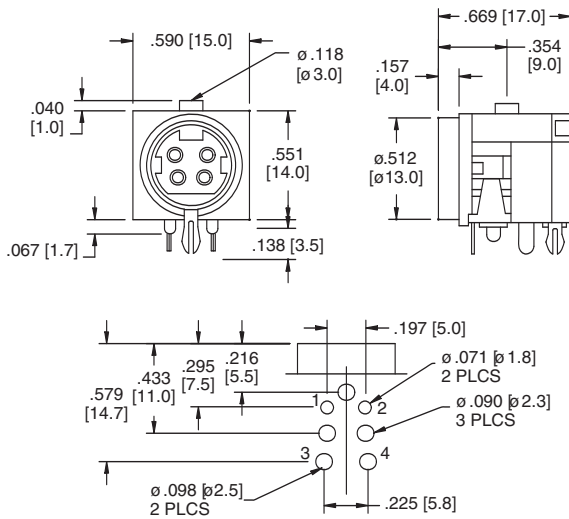
Recommended PCB Layout  
(Top View)

#### MPJ-3P-S SHIELDED



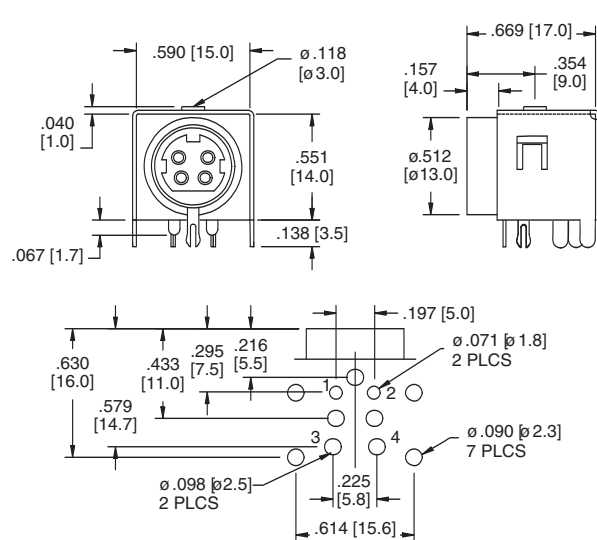
Recommended PCB Layout  
(Top View)

#### MPJ-4P UNSHIELDED



Recommended PCB Layout  
(Top View)

#### MPJ-4P-S SHIELDED



Recommended PCB Layout  
(Top View)

#### MP SERIES POWER PLUG

