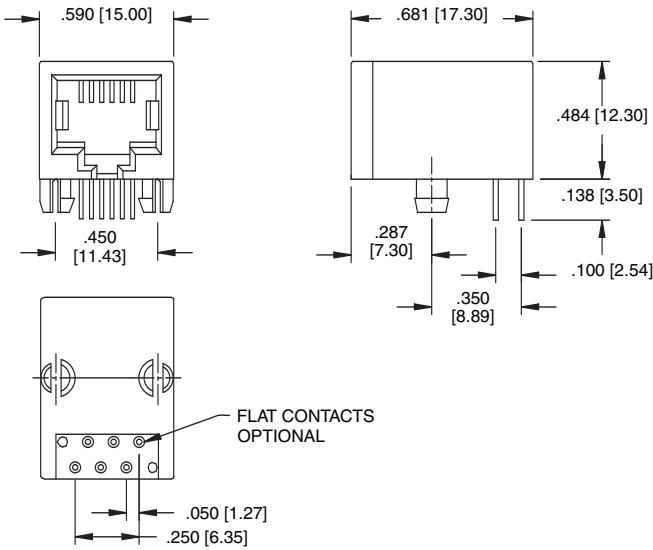
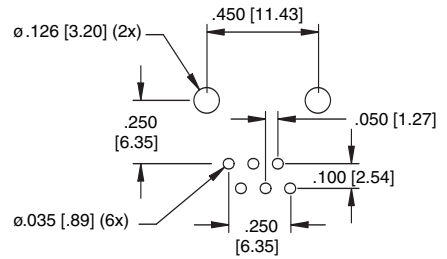


Ordering Information pg. 9

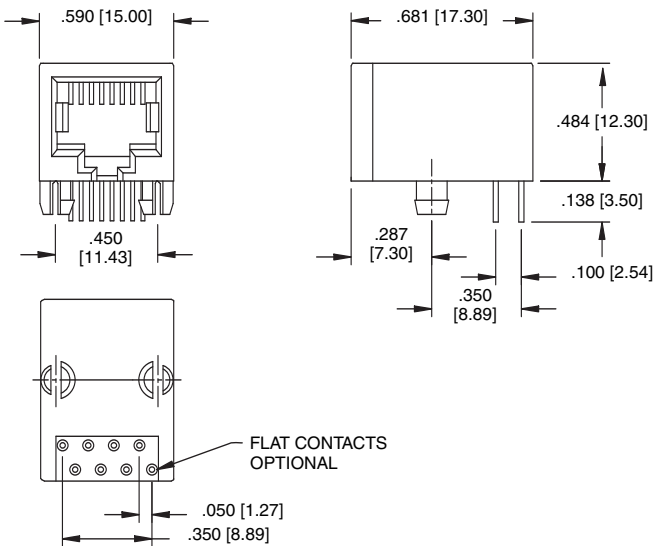
TYPE 9
6P4C
6P6C



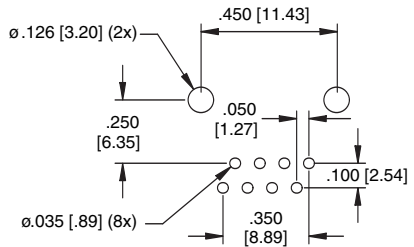
MTJ-669X1



Recommended PCB Layout

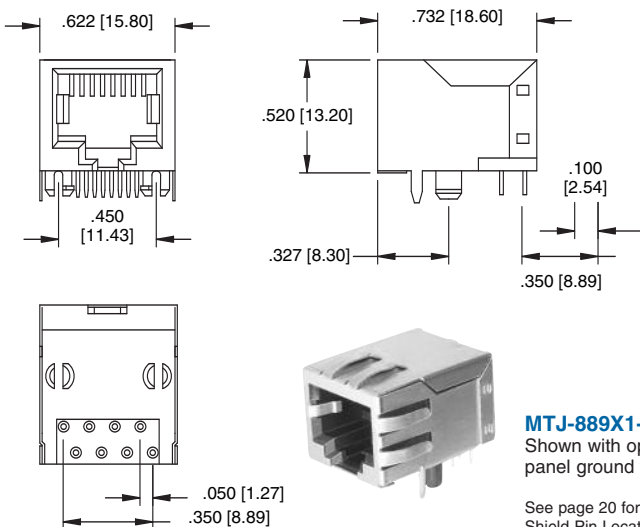


MTJ-889X1



Recommended PCB Layout

TYPE 9
8P8C
SHIELDED



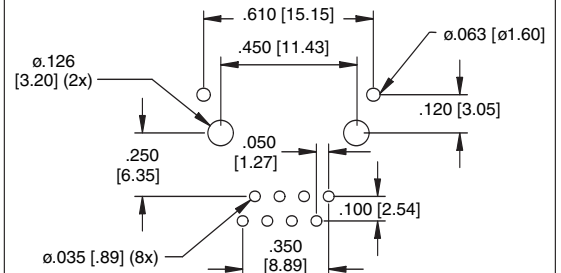
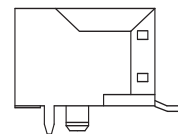
MTJ-889X1-FSE

MTJ-889X1-FSE-PG

Shown with optional
panel ground tabs

See page 20 for other
Shield Pin Location Options

SMT Option



Recommended PCB Layout