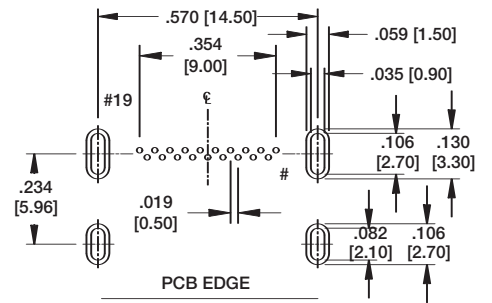
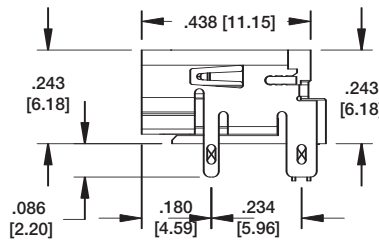
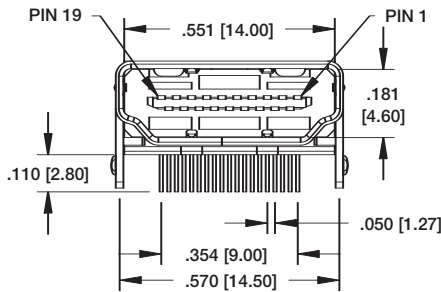
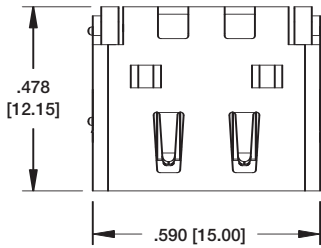


HDMI RIGHT ANGLE RIGHT ANGLE THRU-HOLE



HDMI-S-RA-1

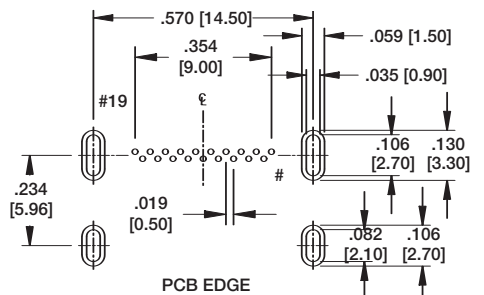
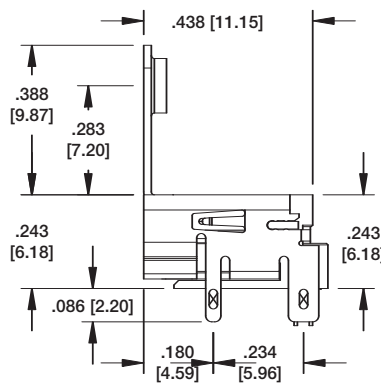
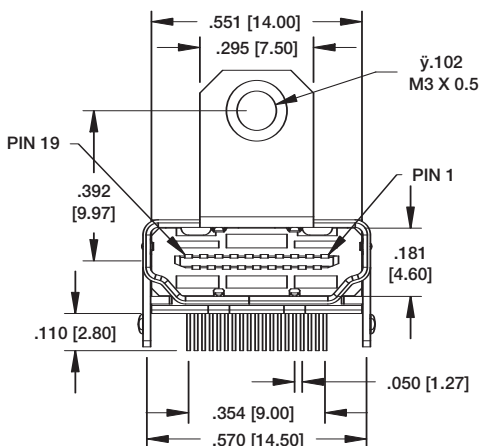
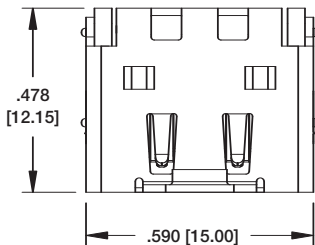


Recommended PCB Layout

HDMI RIGHT ANGLE RIGHT ANGLE THRU-HOLE WITH MOUNTING FLANGE

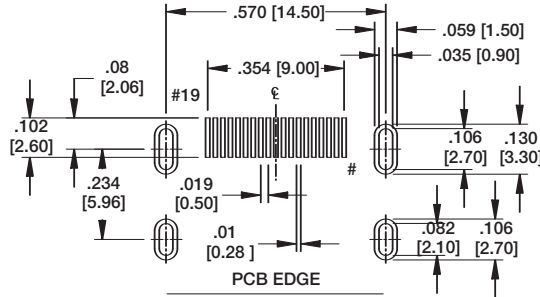
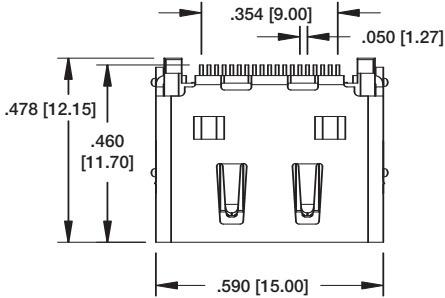


HDMI-S-RA-1-MF

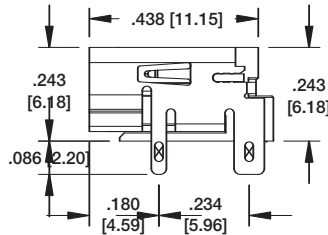
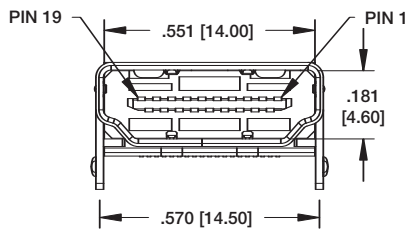


Recommended PCB Layout

HDMI RIGHT ANGLE SMT

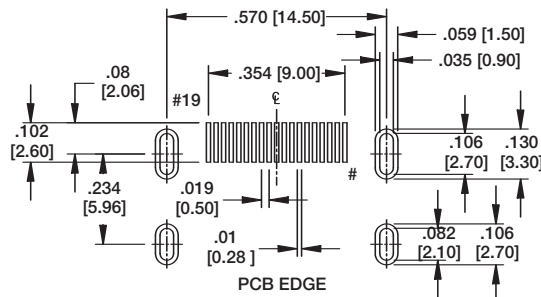
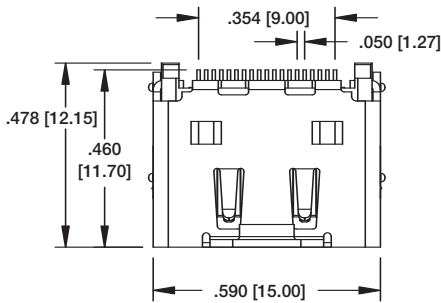


Recommended PCB Layout

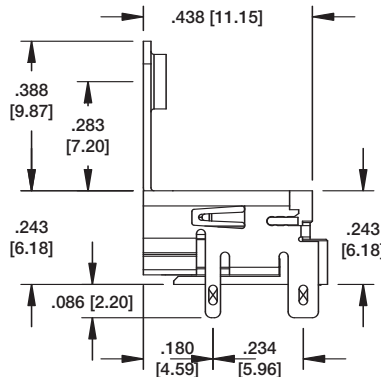
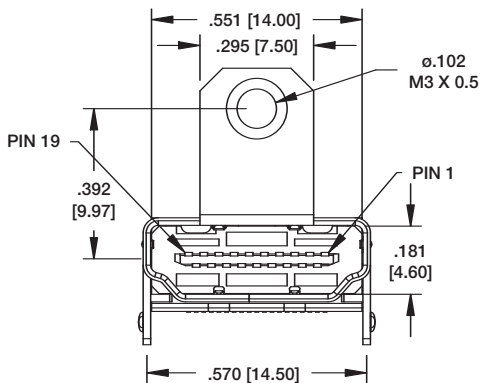


HDMI-S-RA-SMT

HDMI RIGHT ANGLE SMT WITH MOUNTING FLANGE

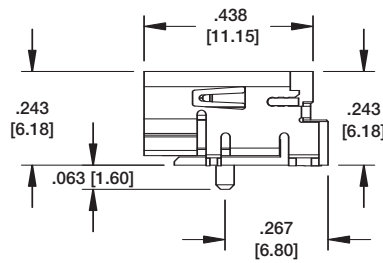
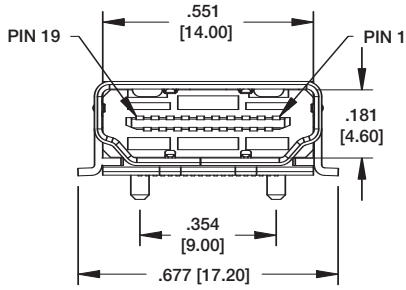
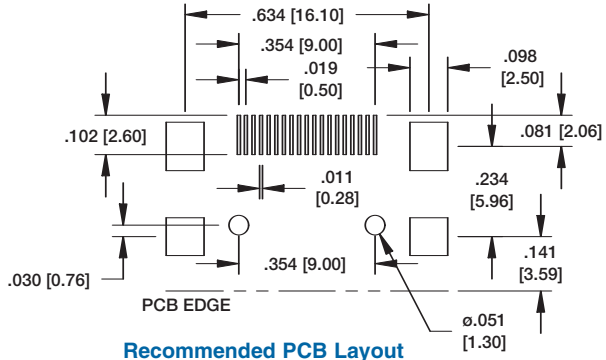
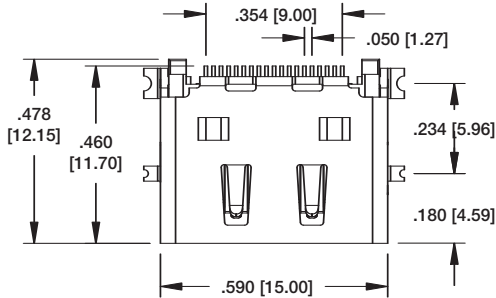


Recommended PCB Layout



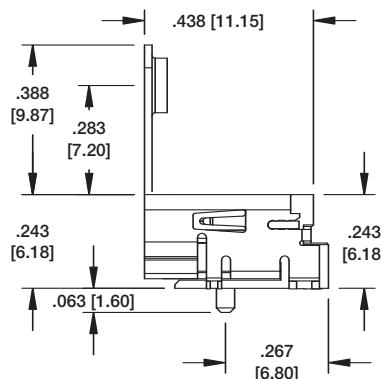
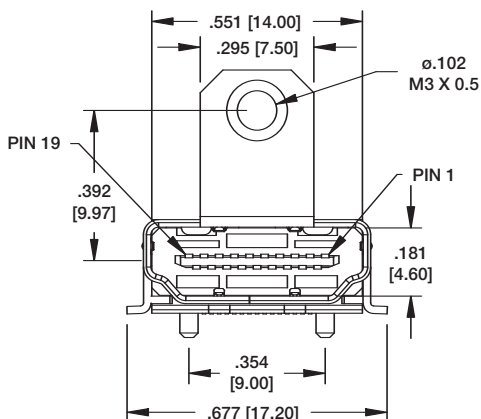
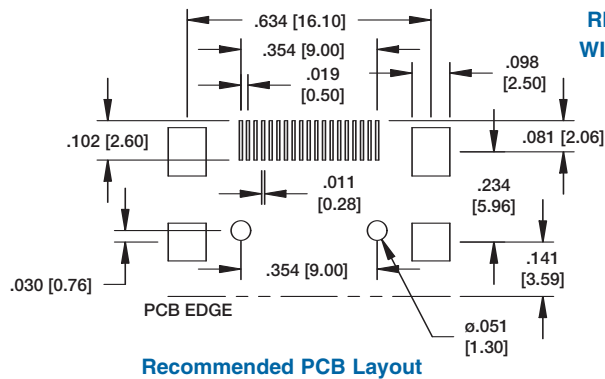
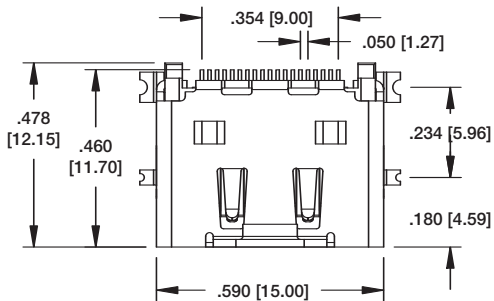
HDMI-S-RA-SMT-MF

**HDMI
RIGHT ANGLE TRUE SMT**



HDMI-S-RA-TSMT

**HDMI
RIGHT ANGLE TRUE SMT
WITH MOUNTING FLANGE**



HDMI-S-RA-TSMT-MF