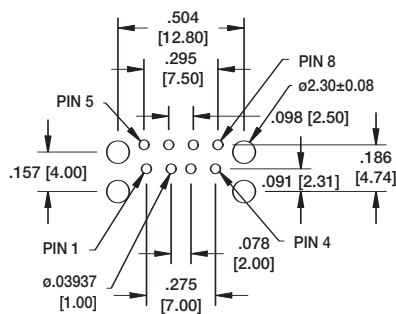
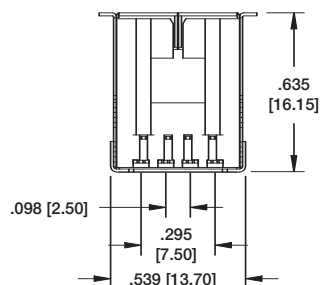
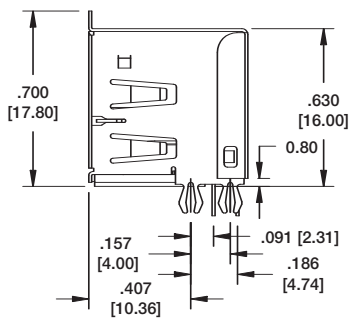
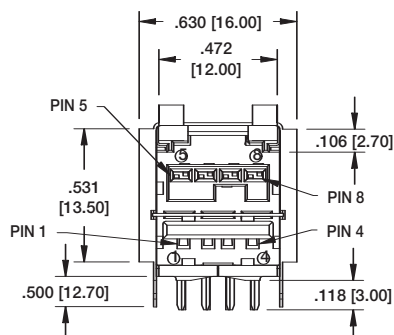
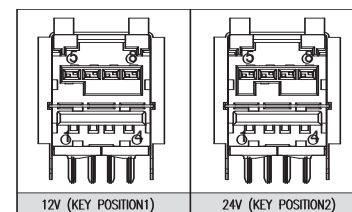


USBP-A-XXV-RA



Recommended PCB Layout

VOLTAGE	DESCRIPTION	HOUSING COLOR
12V	POSITION 1	Green
24V	POSITION 2	Red



ORDERING INFORMATION

SIGNAL USB & POWER USB COMBINATION WITH LEDs

USBP

SERIES INDICATOR
USBP = Signal USB & Power USB with LEDs Stacked

A

TYPE
A = Type A

12V

VOLTAGE
12V = 12V DC (Color Green)
24V = 24V DC (Color Red)

RA

MOUNTING ANGLE
RA = Right Angle