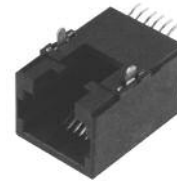
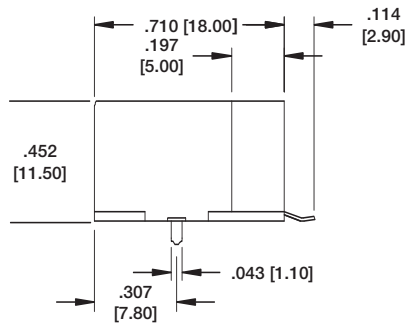
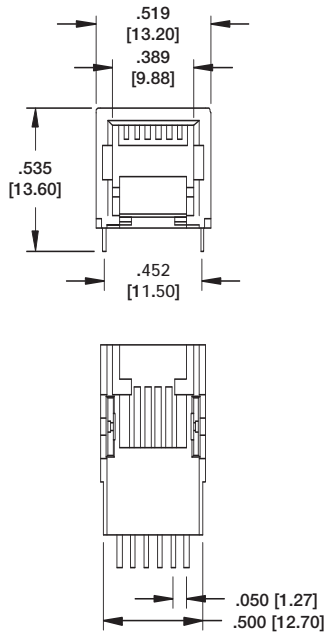
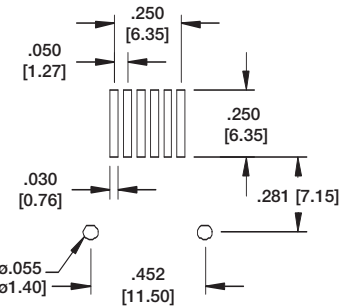


Ordering Information pg. 9

**TYPE Y**  
6P6C  
6P4C

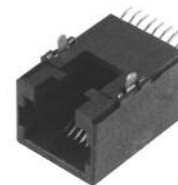
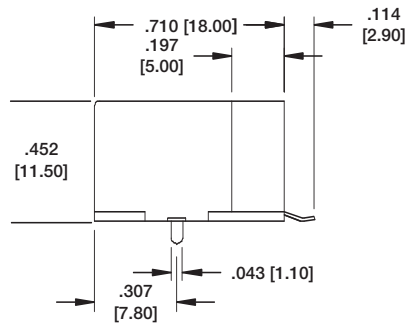
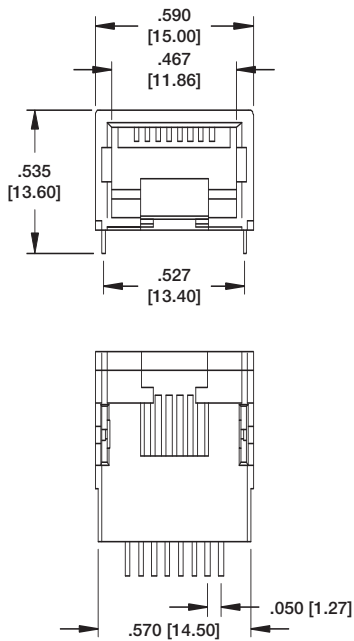


**MTJ-66YX1**

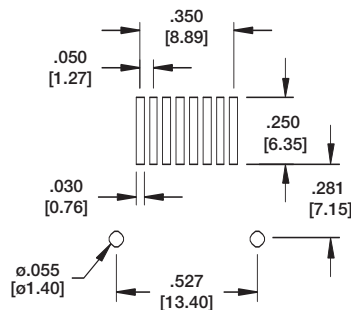


**Recommended PCB Layout**

**TYPE Y**  
8P8C



**MTJ-88YX1**



**Recommended PCB Layout**