

INTRODUCTION:

Adam Tech DVI series Digital Visual Interface connectors are the standard digital interface for flat panels, video graphics cards, monitors, and HDTV units. This series includes DVI-D (Digital), DVI-A (Analog) and DVI-I (Integrated Digital/Analog) Their unique crossing ground blades provide high speed performance at low cost. They are available in Straight or Right Angle PCB mount receptacles and mating male cable connectors. They support a data transfer rate of 4.95Gbps with a dielectric withstanding voltage of 500VAC. Each version features our specially designed contacts which improve signal performance and a zinc alloy shield that reduces electromagnetic interference (EMI).

FEATURES:

- Supports Analog and Digital signals
- Offers excellent EMI/RFI performance
- Plug and Play interface
- Supports high bandwidth up to 2.5 GHz analog signal
- Variety of Mating and mounting options

MATING CONNECTORS:

Adam Tech DVI connectors and all industry standard DVI connectors.

SPECIFICATIONS:

Material:

Standard insulator: PA66, Glass filled, rated UL94V-0
Optional Hi-Temp insulator: Nylon 6T rated UL94V-0
Insulator Color: White, (Black optional)
Contacts: Phosphor Bronze
Shell: Steel, Nickel Plated

Contact Plating:

Gold Flash over nickel underplate on mating area,
Tin over Copper underplate on tails

Electrical:

Operating Voltage: 250V AC
Current Rating: 1.5 Amps max.
Contact Resistance: 20 mΩ max. initial
Insulation Resistance: 1000 MΩ min.
Dielectric Withstanding Voltage: 500V AC for 1 minute

Mechanical:

Insertion force: 10 lb max.
Withdrawal force: 2.2 lb. min.
Durability: 100 cycles

Temperature Rating:

Operating Temperature: -55°C to +85°C
Soldering process temperature:
Standard insulator: 235°C
Hi-Temp insulator: 260°C

PACKAGING:

Anti-ESD plastic trays

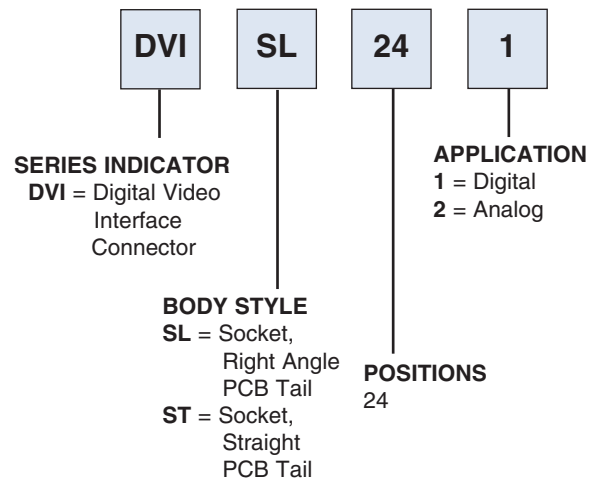
APPROVALS AND CERTIFICATIONS:

UL Recognized File No. E224053
CSA Certified File No. LR1578596

HI-TEMP
INSULATOR
AVAILABLE



ORDERING INFORMATION



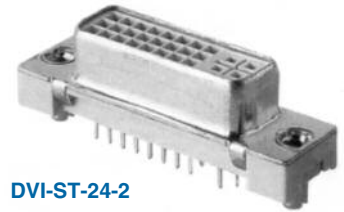
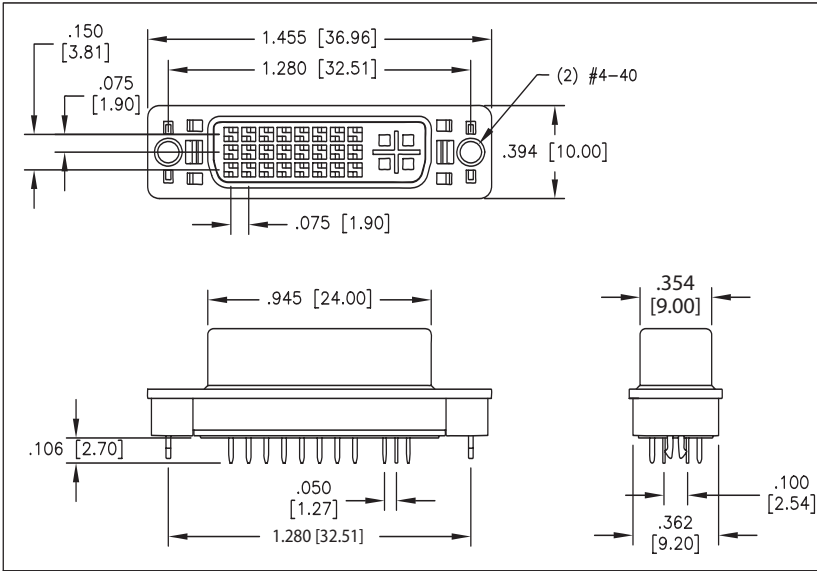
OPTIONS:

Add designator(s) to end of part number

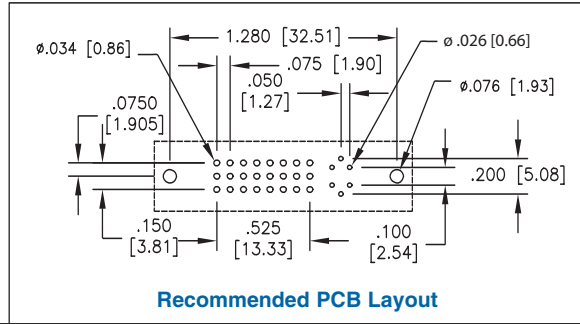
BK = Insulator color black

JS = Jackscrews Installed

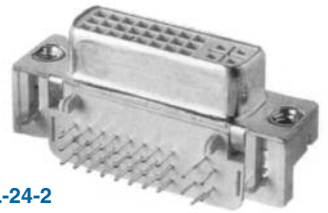
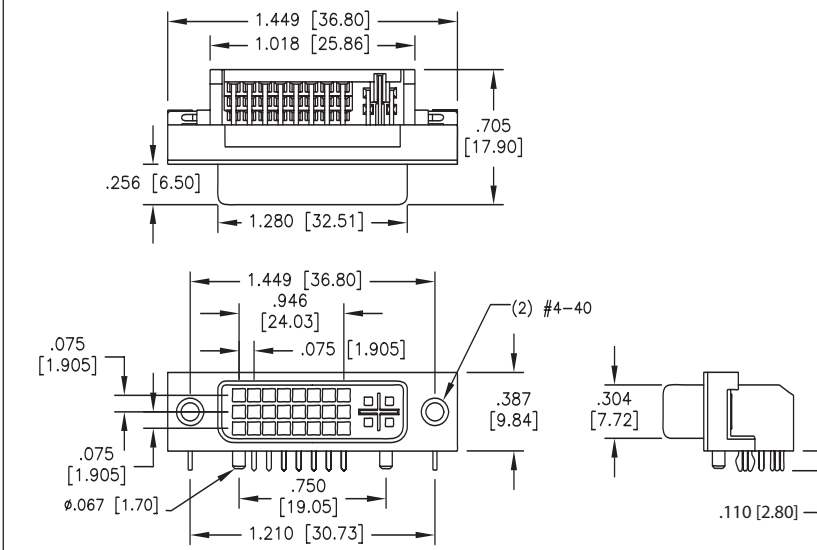
HT = Hi-Temp insulator for Hi-Temp soldering processes up to 260°C



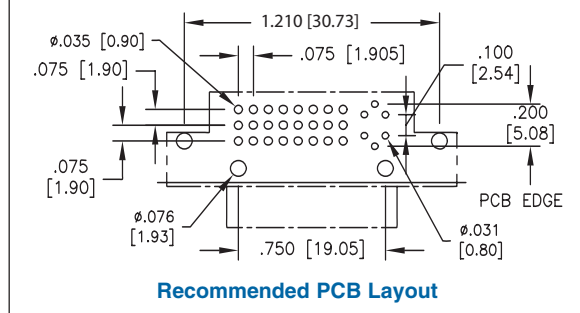
DVI-ST-24-2



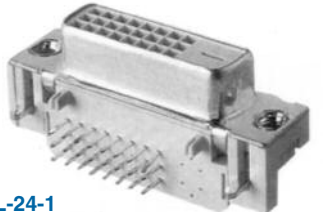
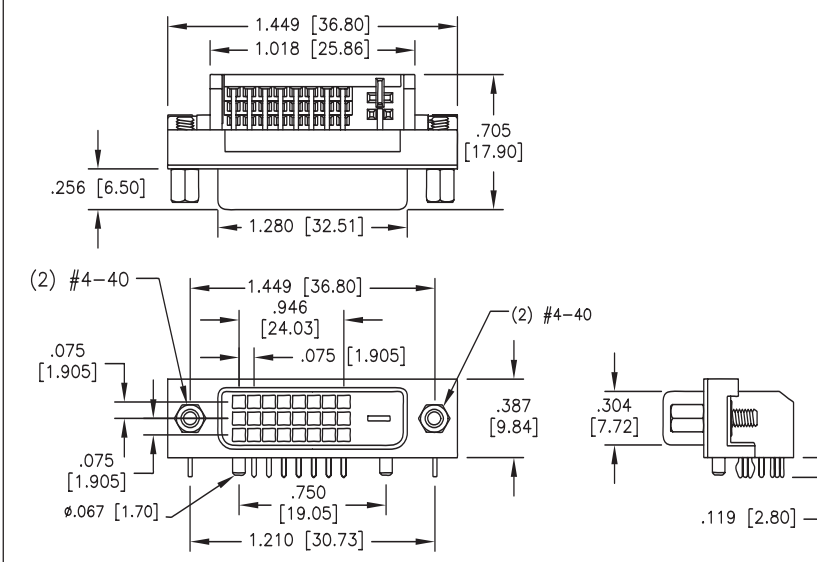
Recommended PCB Layout



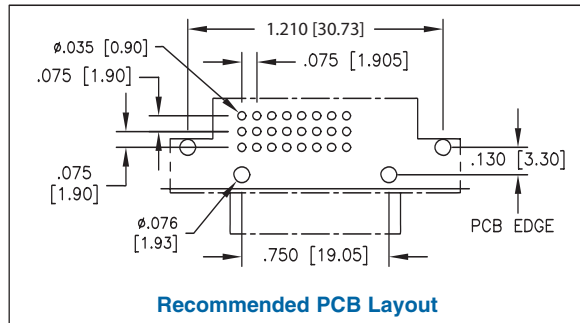
DVI-SL-24-2



Recommended PCB Layout



DVI-SL-24-1



Recommended PCB Layout