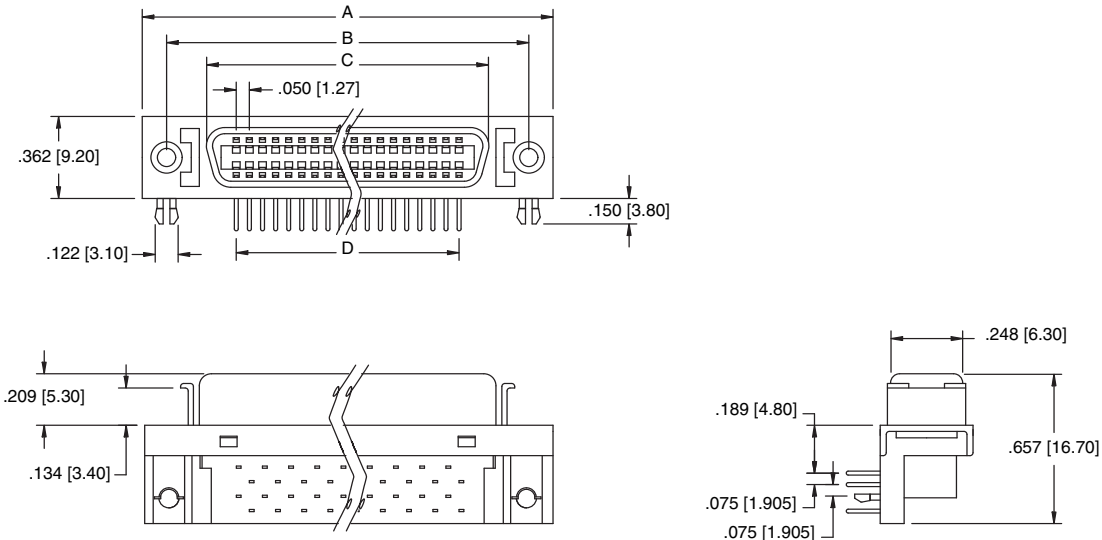


ADAM TECH .050" [1.27] RIBBON CONNECTOR

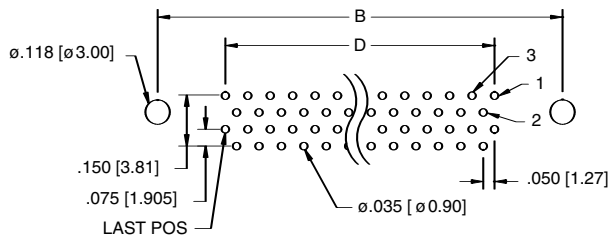
ADAM TECHNOLOGIES

RIGHT ANGLE PCB MOUNT
S2B SERIES

S2B-RIGHT ANGLE

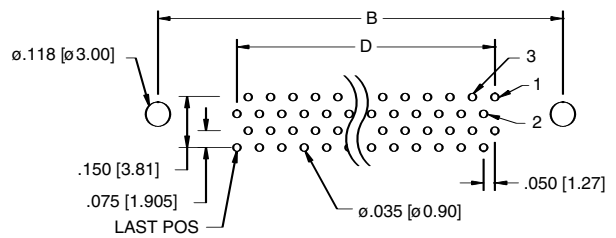


Recommended PCB Layout



14P, 24P & 50P

Recommended PCB Layout



20P, 36P, 40P, 60P, 68P, 80P & 100P

Unit: Inch / mm

PART NO. & POSITIONS	Connector Dimensions			
	A	B	C	D
S2B-SR-14	0.494 (12.55)	0.919 (23.34)	1.161 (29.49)	0.300 (7.62)
S2B-SR-36	1.056 (26.82)	1.481 (37.62)	1.723 (43.76)	0.650 (16.51)
S2B-SR-50	1.406 (35.70)	1.831 (46.50)	2.073 (52.65)	1.200 (30.48)
S2B-SR-68	1.856 (47.14)	2.281 (57.94)	2.523 (64.08)	1.650 (41.93)