

INTRODUCTION:

Adam Tech Solder Cup High Density D-Sub connectors are a popular interface for many I/O applications. Offered in 15, 26, 44, 62 and 78 positions, they are a good choice for a low cost industry standard high density connection. Adam Tech connectors are manufactured with precision stamped contacts offering a choice of contact plating and a wide selection of mating and mounting options.

FEATURES:

- High Density pin count in standard size shell
- Industry standard compatibility
- Durable metal shell design
- Precision formed bifurcated contacts
- Mating and mounting options

MATING CONNECTORS:

Adam Tech high density D-Subminiatures and all industry standard high density D-Subminiature connectors.

SPECIFICATIONS:

Material:

- Insulator: PBT, 30% glass reinforced, rated UL94V-0
- Insulator Colors: Black (White optional)
- Contacts: Phosphor Bronze
- Shell: Steel, Tin or Zinc plated
- Hardware: Brass, Nickel plated

Contact Plating:

Gold Flash (15 and 30 μ m Optional) over Nickel underplate.

Electrical:

- Operating voltage: 250V AC / DC max.
- Current rating: 5 Amps max.
- Contact resistance: 20 m Ω max. initial
- Insulation resistance: 5000 M Ω min.
- Dielectric withstanding voltage: 1000V AC for 1 minute

Mechanical:

- Insertion force: 0.75 lbs max
- Extraction force: 0.44 lbs min

Temperature Rating:

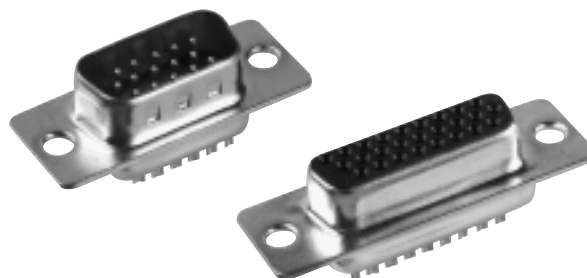
Operating temperature: -65°C to +125°C

PACKAGING:

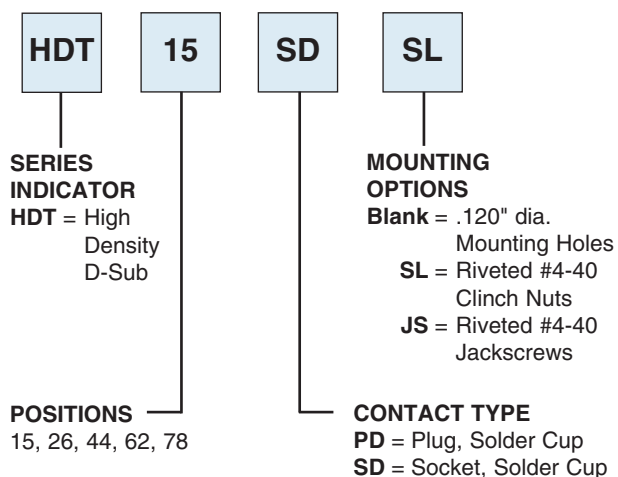
Anti-ESD plastic trays

APPROVALS AND CERTIFICATIONS:

UL Recognized File No. E224053
CSA Certified File No. LR1578596



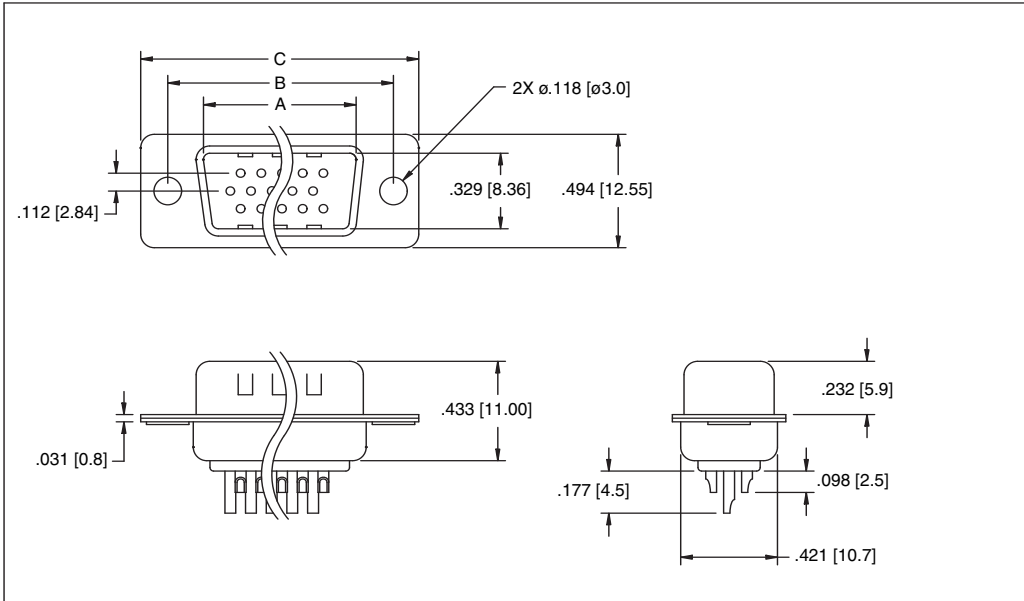
ORDERING INFORMATION



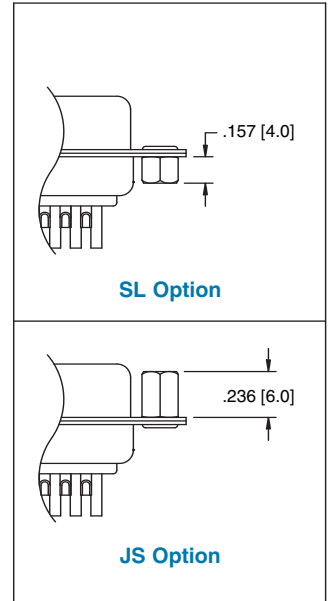
OPTIONS:

Add designator(s) to end of part number
30 = 30 μ m gold plating in contact area
RC = RoHS compliant lead-free product with Hi-Temp insulator

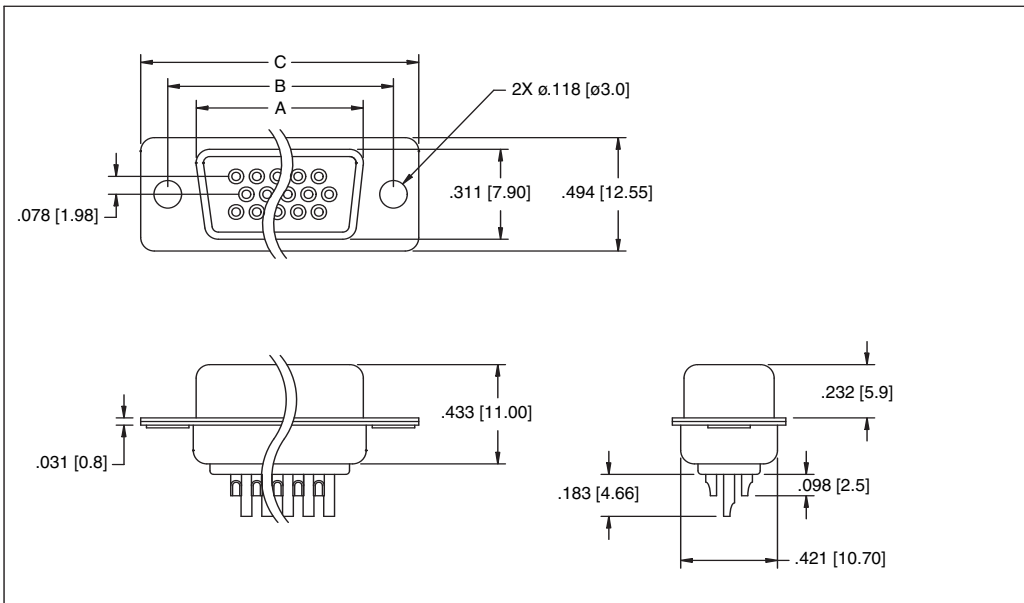
PLUG



MOUNTING OPTIONS



SOCKET



Unit: Inch / mm

POSITIONS	Socket Dimensions			POSITIONS	Plug Dimensions		
	A	B	C		A	B	C
15	.643 (16.33)	.984 (24.99)	1.213 (30.81)	15	.666 (16.92)	.984 (24.99)	1.213 (30.81)
26	.971 (24.66)	1.312 (33.32)	1.541 (39.14)	26	.994 (25.25)	1.312 (33.32)	1.541 (39.14)
44	1.511 (38.38)	1.852 (47.04)	2.088 (53.04)	44	1.534 (38.96)	1.852 (47.04)	2.008 (53.04)
62	2.159 (54.84)	2.500 (63.50)	2.729 (69.32)	62	2.182 (55.42)	2.500 (63.50)	2.729 (69.32)
78	2.064 (52.43)	2.406 (61.11)	2.635 (66.93)	78	2.079 (52.81)	2.406 (61.11)	2.635 (66.93)