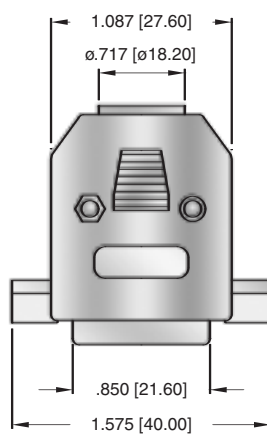
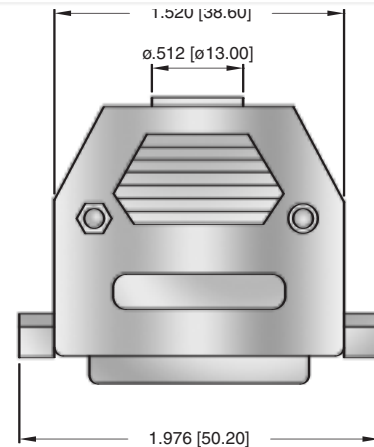


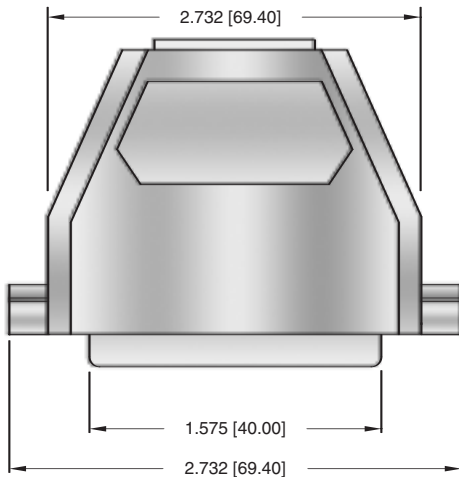
DE09-HD-PN-(SS or TS)



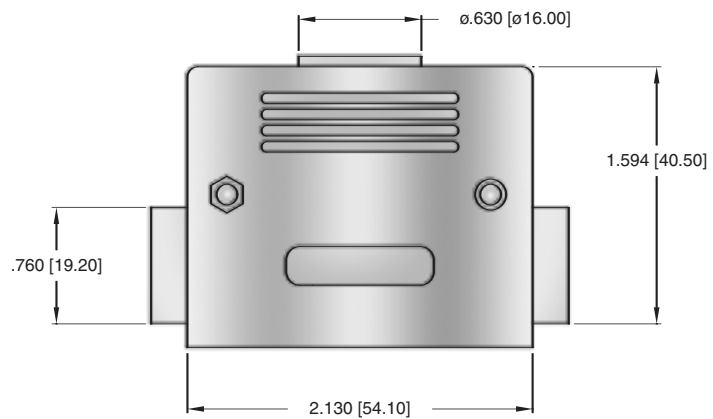
DA15-HD-PN-(SS or TS)



DB25-HD-PN-(SS or TS)



DC37-HD-PN-(SS or TS)

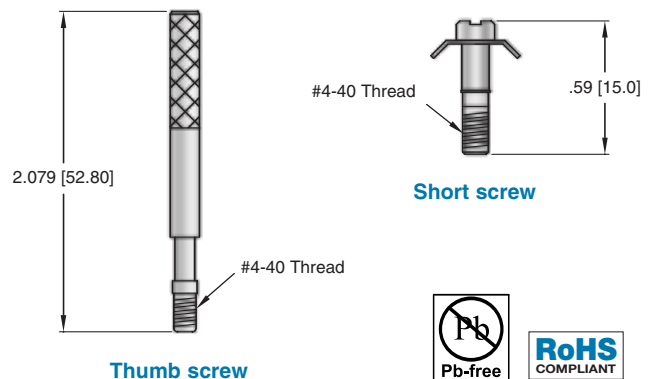


DD50-HD-PN-(SS or TS)

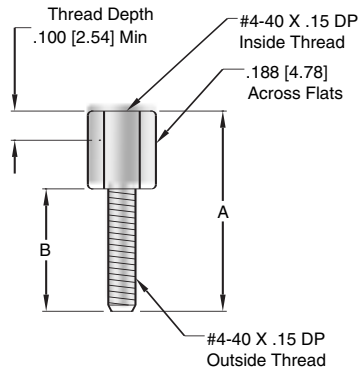
### ORDERING INFORMATION

choose one from each category as shown in sample below

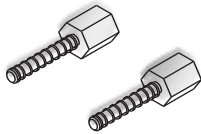
DE09-HD Series	PN Hood Color	TS Hardware
DE09-HD - 9P Hood	PY - Gray Plastic	SS - Short Screw
DA15-HD - 15P Hood	PB - Black Plastic	TS - Thumb Screw
DB25-HD - 25P Hood	PN - Chromed Plastic	
DC37-HD - 37P Hood	AL - Aluminum Cast	
DD50-HD - 50P Hood		



### Jackscrews

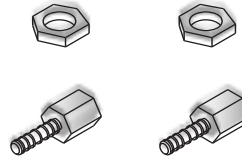


JACKSCREW DIMENSIONS		
PART NUMBER	A	B
JS-01	.416 [10.60]	.226 [5.70]
JS-02	.467 [11.86]	.270 [6.86]
JS-03	.500 [12.70]	.313 [7.95]
JS-04	.465 [11.81]	.226 [5.70]



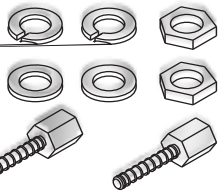
#### HDW-031

Set includes 2 #4-40 female jackscrews



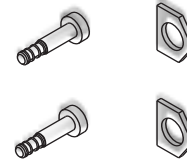
#### HDW-024

Set includes 2 #4-40 female jackscrews and 2 hex nuts



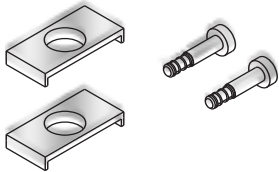
#### HDW-023

Set includes 2 #4-40 female jackscrews 2 flat washers, 2 split washers and 2 hex nuts



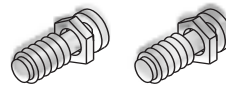
#### HDW-028

Screw retainer clip set includes 2 screw retainer clips and retainer screws



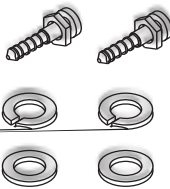
#### HDW-029

Screw lock kit includes 2 screw locks and retainer screws



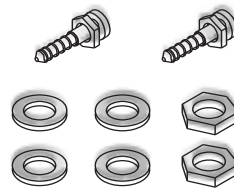
#### HDW-044

Sliding lock posts Set of 2



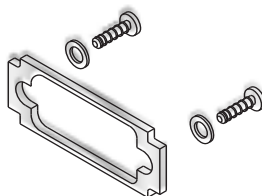
#### HDW-007

Slide lock post set includes 2 posts, washers and lock-washers



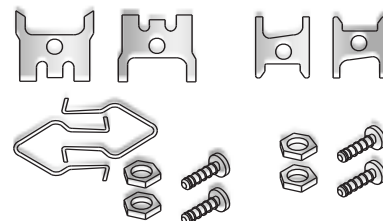
#### HDW-045

Slide lock post kit includes 2 posts, washers and hex nuts



#### HDW-009

Slide lock assembly kit includes slide lock, screws and washers, Specify 9, 15, 25 or 37 position



#### HDW-041

Spring latch set includes 1 pair of spring latches, with holding hardware and 1 pair of notch clips, with holding hardware