

INTRODUCTION:

Adam Tech Crimp and Poke D-Sub connectors are a popular interface for many I/O applications. Offered in 9, 15, 25, 37 and 50 positions they are a low cost alternative to soldering a connector to cable. Contacts are crimped onto discrete wires and pushed into the connector body. The connector is comprised of a metal shell and plastic insulator and is available with a variety of mating options. The contacts are precision stamped and are available in a variety of platings.

FEATURES:

- Low cost no solder alternative
- Industry standard compatibility
- Durable metal shell design
- Precision formed bifurcated contacts
- Variety of Mating and mounting options

MATING CONNECTORS:

Adam Tech D-Subminiatures and all industry standard D-Subminiature connectors.

SPECIFICATIONS:

Material:

Insulator: PBT, 30% glass reinforced, rated UL94V-0
 Insulator Color: Black
 Contacts: Phosphor Bronze
 Shell: Steel, Tin or Zinc plated
 Hardware: Brass, Nickel plated

Contact Plating:

Gold Flash (15 and 30 μ m Optional) over Nickel underplate.

Electrical:

Operating voltage: 250V AC / DC max.
 Current rating: 5 Amps max.
 Contact resistance: 20 m Ω max. initial
 Insulation resistance: 5000 M Ω min.
 Dielectric withstanding voltage: 1000V AC for 1 minute

Mechanical:

Insertion force: 0.75 lbs max
 Extraction force: 0.44 lbs min

Temperature Rating:

Operating temperature: -65°C to +125°C

PACKAGING:

Anti-ESD plastic trays

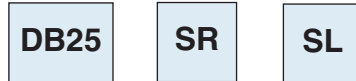
APPROVALS AND CERTIFICATIONS:

UL Recognized File No. E224053
 CSA Certified File No. LR1578596



ORDERING INFORMATION

HOUSING



SHELL SIZE/ NO. OF POSITIONS

DE09 = 9 Position
 DA15 = 15 Position
 DB25 = 25 Position
 DC37 = 37 Position
 DD50 = 50 Position

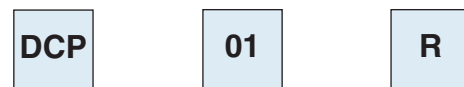
MOUNTING OPTIONS

Blank = .120" diameter
 mounting holes
 SL = Riveted #4-40
 clinch nuts
 JS = Riveted #4-40
 jackscrews

CONTACT TYPE

PR = Plug, Crimp and Poke
 SR = Socket, Crimp and Poke

CONTACTS



CONTACT WIRE RANGE

DCP = Plug
 Contact
 DCS = Socket
 Contact

CONTACT TYPE

01 = 24-26 AWG
 02 = 20-22 AWG
 03 = 28-30 AWG

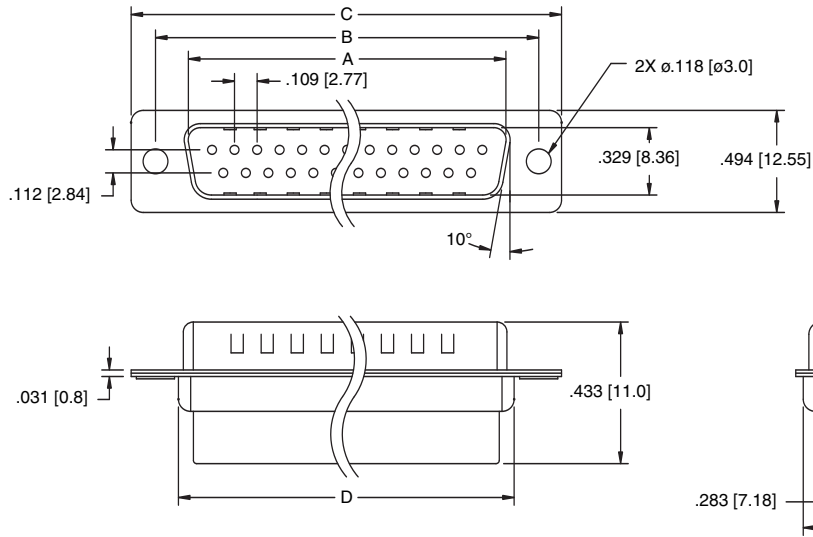
PACKAGING

R = 10,000 piece
 reel
 B = 1000 pieces
 loose cut

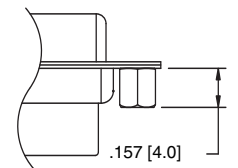
OPTIONS:

Add designator(s) to end of part number
 30 = 30 μ m gold plating in contact area on crimp contacts

PLUG HOUSING

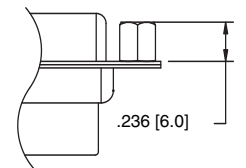
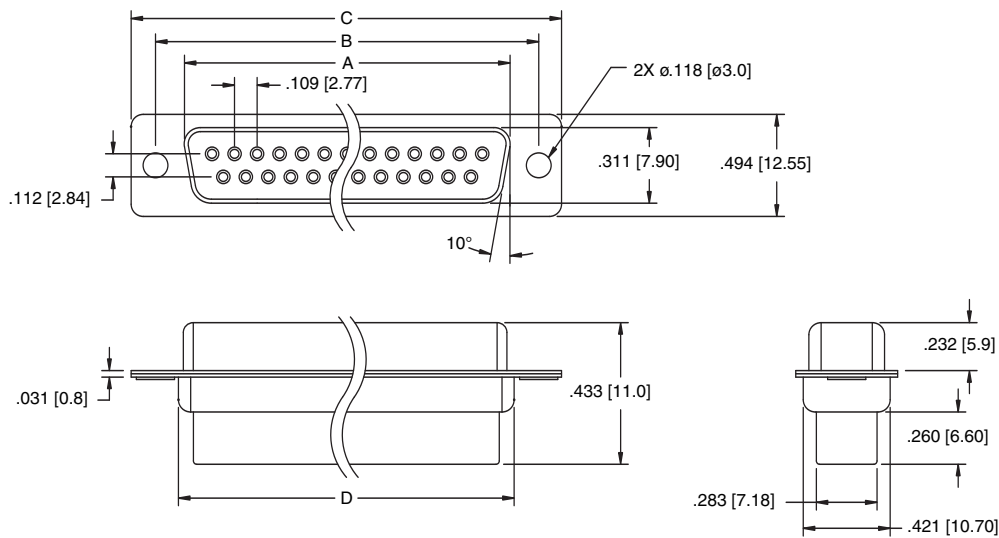


MOUNTING OPTIONS



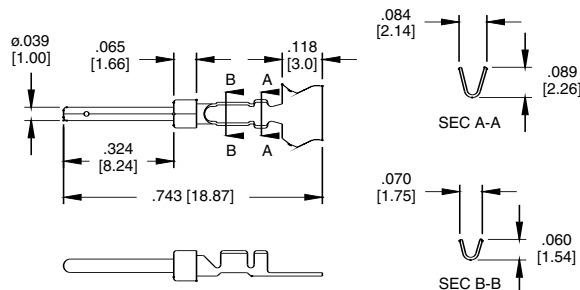
SL Option

SOCKET HOUSING



JS Option

PLUG CRIMP CONTACTS



SOCKET CRIMP CONTACTS

