

### INTRODUCTION:

Adam Tech Solder Cup D-Sub connectors are a popular interface for many I/O applications. Offered in 9, 15, 25, 37 and 50 positions, they are an excellent choice for a low cost industry standard connection. These connectors are manufactured with precision stamped contacts, choice of insulator colors and shell plating, and offer a wide selection of mating and mounting options. Adam Tech Solder Cup connectors can be soldered to cable ends or mounted directly to a PCB card edge.

### FEATURES:

- Cable or edge card mounting
- Industry standard compatibility
- Durable metal shell design
- Precision formed bifurcated contacts
- Mating and mounting options

### MATING CONNECTORS:

Adam Tech D-Subminiatures and all industry standard D-Subminiature connectors.

### SPECIFICATIONS:

#### Material:

- Insulator: PBT, 30% glass reinforced, rated UL94V-0
- Insulator Colors: Black (White optional)
- Contacts: Phosphor Bronze
- Shell: Steel, Tin or Zinc plated
- Hardware: Brass, Nickel plated

#### Contact Plating:

Gold Flash (15 and 30  $\mu$ m Optional) over Nickel underplate.

#### Electrical:

- Operating voltage: 250V AC / DC max.
- Current rating: 5 Amps max.
- Contact resistance: 20 m $\Omega$  max. initial
- Insulation resistance: 5000 M $\Omega$  min.
- Dielectric withstanding voltage: 1000V AC for 1 minute

#### Mechanical:

- Insertion force: 0.75 lbs max
- Extraction force: 0.44 lbs min

#### Temperature Rating:

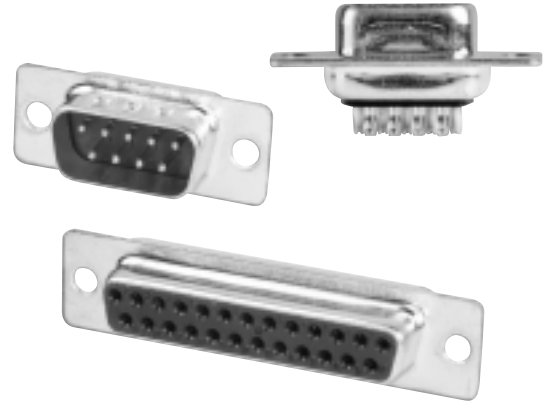
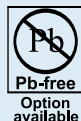
Operating temperature: -65°C to +125°C

### PACKAGING:

Anti-ESD plastic trays

### APPROVALS AND CERTIFICATIONS:

UL Recognized File No. E224053  
CSA Certified File No. LR1578596



### ORDERING INFORMATION

DB25

PD

SL

#### SHELL SIZE/ POSITIONS

- DE09 = 9 Position
- DA15 = 15 Position
- DB25 = 25 Position
- DC37 = 37 Position
- DD50 = 50 Position

#### MOUNTING OPTIONS

- Blank = .120" Mounting Holes
- SL = Riveted, #4-40 clinch nuts
- JS = Riveted, #4-40 jack screws

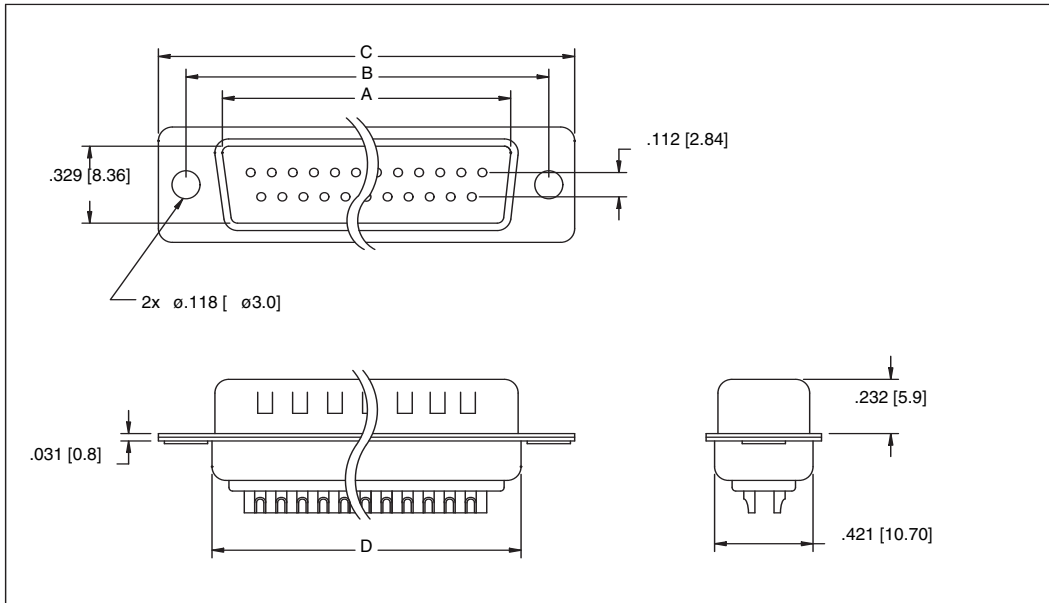
#### CONTACT TYPE

- PD = Solder Cup, Plug
- SD = Solder Cup, Socket

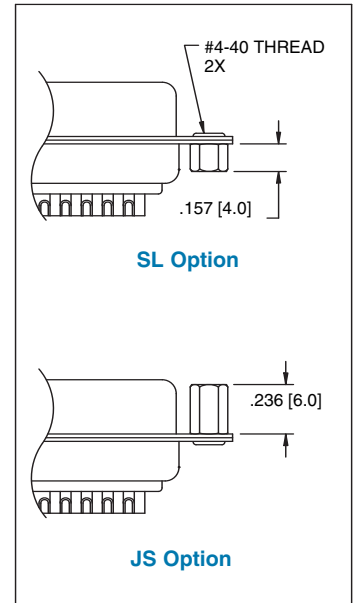
### OPTIONS:

- Add designator(s) to end of part number
- 30 = 30  $\mu$ m gold plating in contact area
- RC = RoHS compliant lead-free product with Hi-Temp insulator

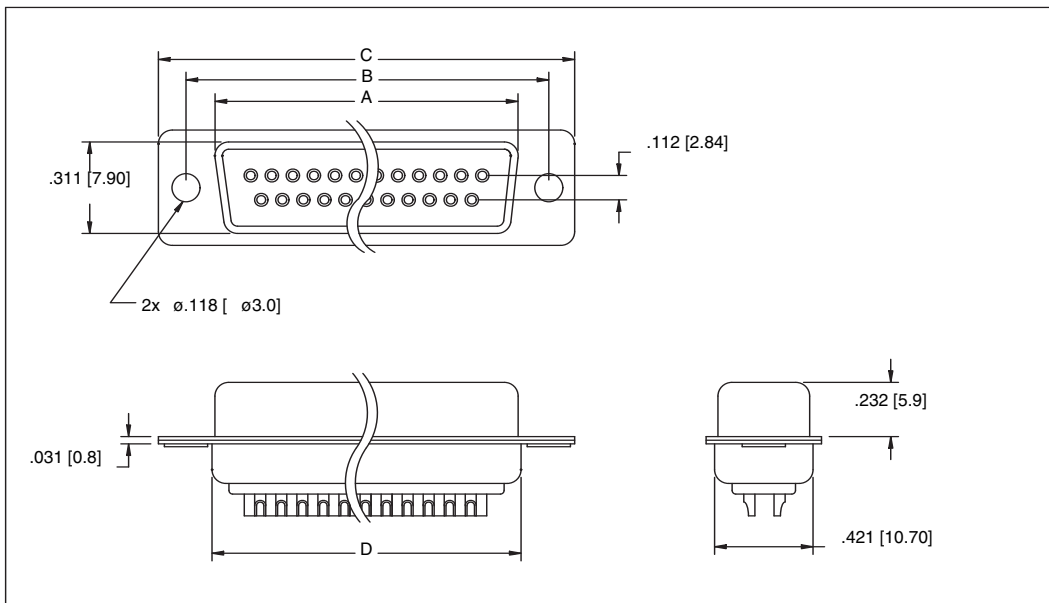
#### PLUG



#### MOUNTING OPTIONS



#### SOCKET



Unit: Inch / mm

POSITIONS	Socket Dimensions				POSITIONS	Plug Dimensions			
	A	B	C	D		A	B	C	D
9	.643 (16.33)	.984 (24.99)	1.213 (30.81)	.759 (19.28)	9	.666 (16.92)	.984 (24.99)	1.213 (30.81)	.759 (19.28)
15	.971 (24.66)	1.312 (33.32)	1.541 (39.14)	1.083 (27.51)	15	.994 (25.25)	1.312 (33.32)	1.541 (39.14)	1.083 (27.51)
25	1.511 (38.38)	1.852 (47.04)	2.088 (53.04)	1.625 (41.30)	25	1.534 (38.96)	1.852 (47.04)	2.088 (53.04)	1.625 (41.30)
37	2.159 (54.84)	2.500 (63.50)	2.729 (69.32)	2.272 (57.71)	37	2.182 (55.42)	2.500 (63.50)	2.729 (69.32)	2.272 (57.71)
50	2.064 (52.43)	2.406 (61.11)	2.635 (66.93)	2.178 (55.32)	50	2.079 (52.81)	2.406 (61.11)	2.635 (66.93)	2.178 (55.32)