

### INTRODUCTION:

Adam Tech Right Angle slimline PCB tail D-Sub connectors are a popular interface for many I/O applications. Offered in 9, 15 and 25 positions they are an excellent choice for a low cost industry standard connection and are ideal for low profile design requirements. Adam Tech connectors are manufactured with precision stamped contacts offering a choice of contact plating and a wide selection of mating and mounting options.

### FEATURES:

- Short profile space saving design
- Industry standard compatibility
- Durable metal shell design
- Precision formed bifurcated contacts
- Variety of Mating and mounting options

### MATING CONNECTORS:

Adam Tech D-Subminiatures and all industry standard D-Subminiature connectors.

### SPECIFICATIONS:

#### Material:

Insulator: PBT, 30% glass reinforced, rated UL94V-0  
Insulator Color: Black  
Contacts: Phosphor Bronze  
Shell: Steel, Tin or Zinc plated  
Hardware: Brass, Nickel plated

#### Contact Plating:

Gold Flash (15 and 30  $\mu$ m Optional) over Nickel underplate.

#### Electrical:

Operating voltage: 250V AC / DC max.  
Current rating: 5 Amps max.  
Contact resistance: 20 m $\Omega$  max. initial  
Insulation resistance: 5000 M $\Omega$  min.  
Dielectric withstanding voltage: 1000V AC for 1 minute

#### Mechanical:

Insertion force: 0.75 lbs max  
Extraction force: 0.44 lbs min

#### Temperature Rating:

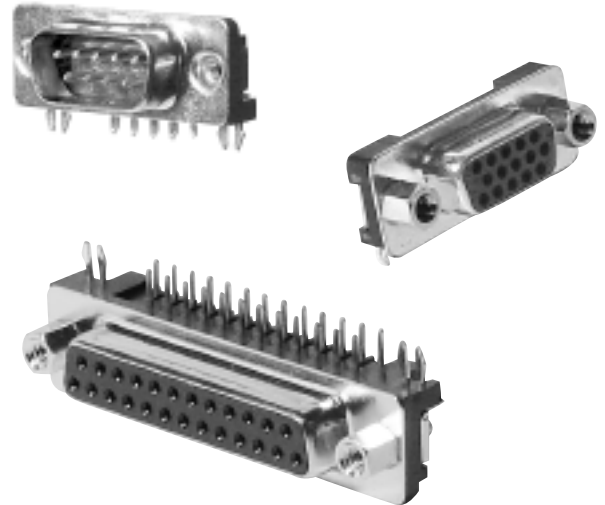
Operating temperature: -65°C to +125°C

### PACKAGING:

Anti-ESD plastic trays

### APPROVALS AND CERTIFICATIONS:

UL Recognized File No. E224053  
CSA Certified File No. LR1578596



### ORDERING INFORMATION

DB25

SN

24

#### SHELL SIZE/ POSITIONS

DE09 = 9 Positions  
DB25 = 25 Positions  
HD15 = Hi Density  
15 Positions

#### MOUNTING / GROUNDING OPTIONS

24 = Forked Boardlocks  
for PCB Retention and  
#4-40 threaded inserts  
in mounting holes  
25 = Forked Boardlocks  
for PCB retention and  
#4-40 threaded inserts  
in mounting holes with  
installed jackscrews

#### CONTACT / TYPE

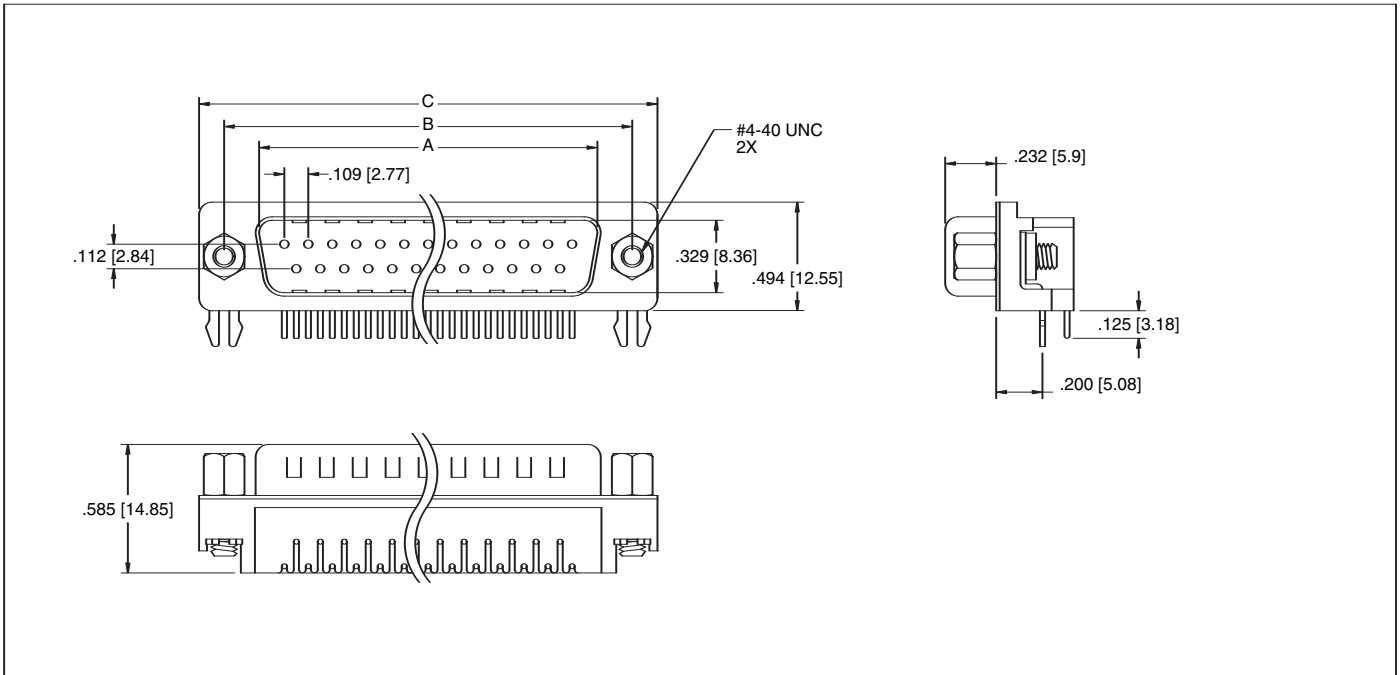
PN = Plug, .197" Slimline  
SN = Socket, .197" Slimline

**HI-TEMP  
INSULATOR  
AVAILABLE**

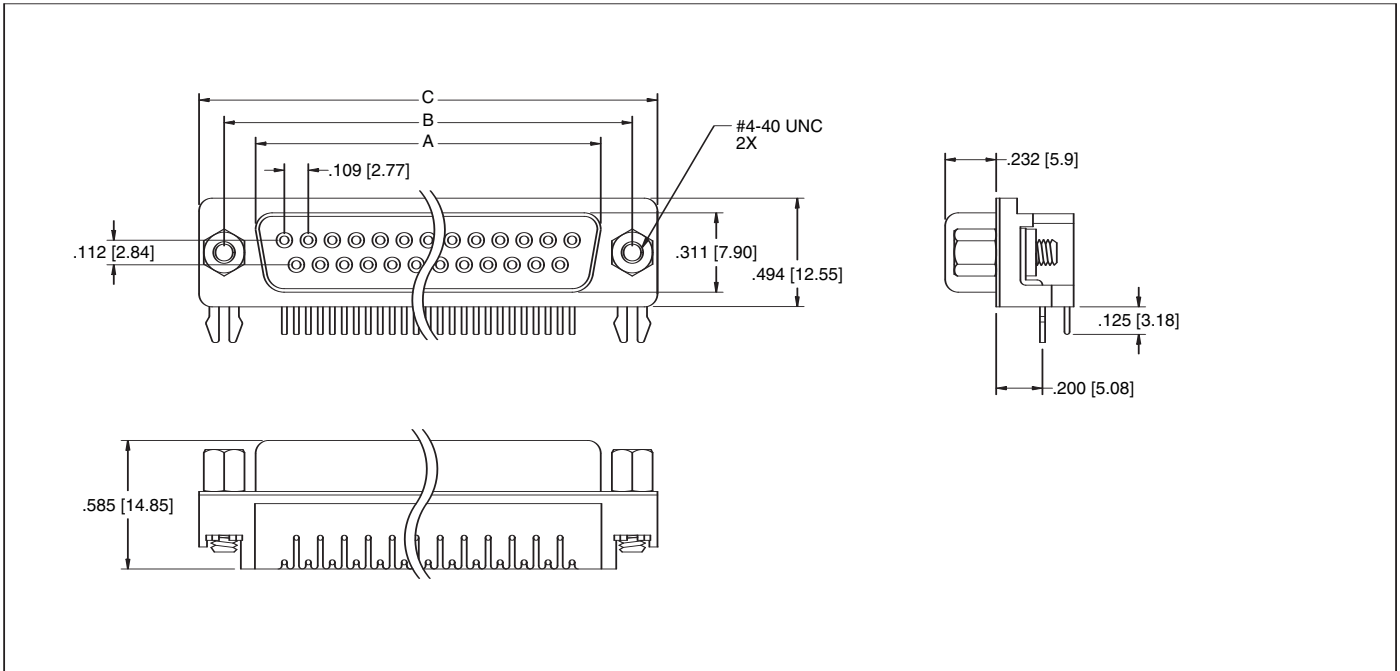
### OPTIONS:

Add designator(s) to end of part number  
30 = 30  $\mu$ m gold plating in contact area  
LPJ = Loose packed jackscrews  
HT = Hi-Temp insulator for Hi-Temp soldering processes  
R = Round jackscrews  
RC = RoHS compliant lead-free product with Hi-Temp insulator

## PLUG



## SOCKET



Unit: Inch / mm

POSITIONS	Socket Dimensions			POSITIONS	Plug Dimensions		
	A	B	C		A	B	C
9	.643 (16.33)	.984 (24.99)	1.213 (30.81)	9	.666 (16.92)	.984 (24.99)	1.213 (30.81)
15	.971 (24.66)	1.312 (33.32)	1.541 (39.14)	15	.994 (25.25)	1.312 (33.32)	1.541 (39.14)