

**INTRODUCTION:**

Adam Tech MTJP Series Wire Leaded Telephone Jacks are a full series of Handset and Panel Jacks conveniently prepared with wire leads ready for final assembly. This series has a multitude of housing shapes to fit many specific applications. They are offered in 4, 6 & 8 positions and with choice of Stripped and Tinned leads or leads with Spade Terminals and choice of contact plating. Adam Tech Jacks are UL and CSA approved and meet all required FCC rules and regulations.

**FEATURES:**

- UL & CSA approved
- FCC compliant to No. 47 CFR part 68
- Prepared for Final Assembly
- 4P, 6P and 8P versions
- Custom Jacks available

**MATING PLUGS:**

All telephone line cords manufactured with telephone plugs

**SPECIFICATIONS:**

**Material:**

Insulator: ABS, (Nylon 66 optional), rated UL94V-0  
 Insulator Colors: Medium gray or black  
 Contacts: Phosphor Bronze  
 Wires: 26 Awg, UL-1061, 80°C, VW-1, 300V.

**Contact Plating:**

Gold Flash over Nickel underplate on contact area.

**Electrical:**

Operating voltage: 150V AC max.  
 Current rating: 1.5 Amps max.  
 Contact resistance: 20 mΩ max. initial  
 Insulation resistance: 500 MΩ min.  
 Dielectric withstanding voltage: 500V AC for 1 minute

**Mechanical:**

Insertion force: 4 Contacts: 500g, 6 contacts 750g  
 8 contacts: 900g, 10 contacts: 1000g  
 Durability: 500 Cycles

**Temperature Rating:**

Operating temperature: -40°C to +125°C

**PACKAGING:**

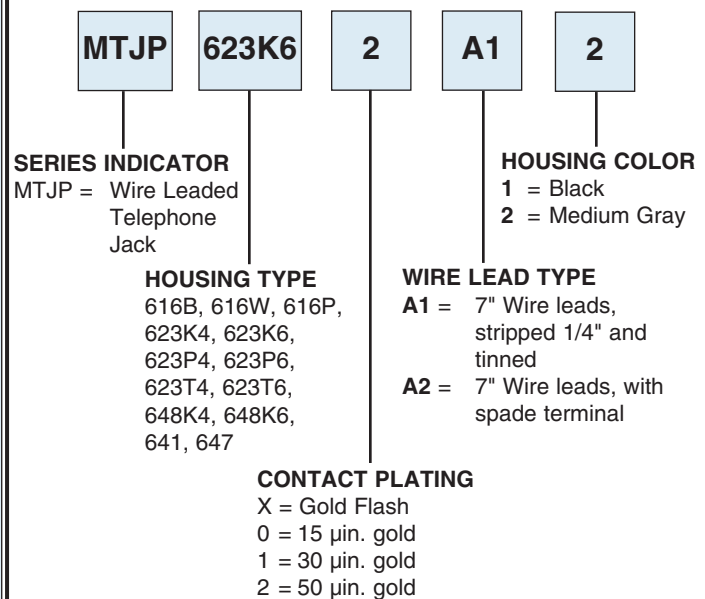
Anti-ESD plastic bags

**APPROVALS AND CERTIFICATIONS:**

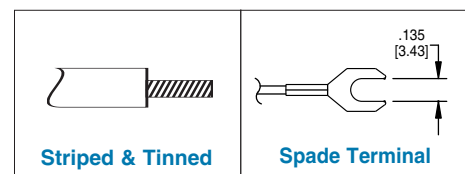
UL Recognized E224049



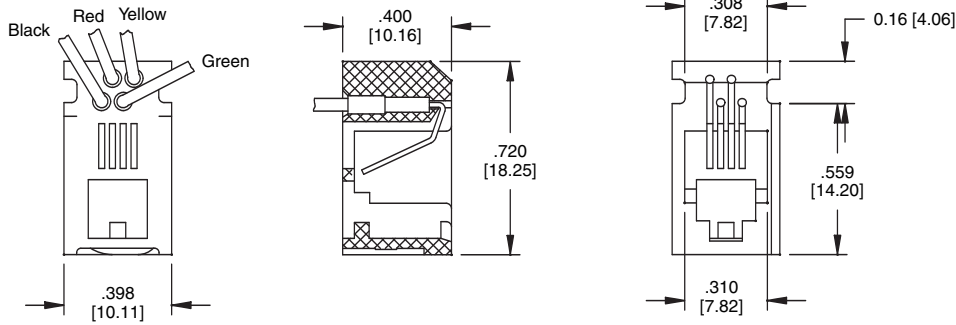
**ORDERING INFORMATION  
MTJP SERIES WIRE LEADED JACKS**



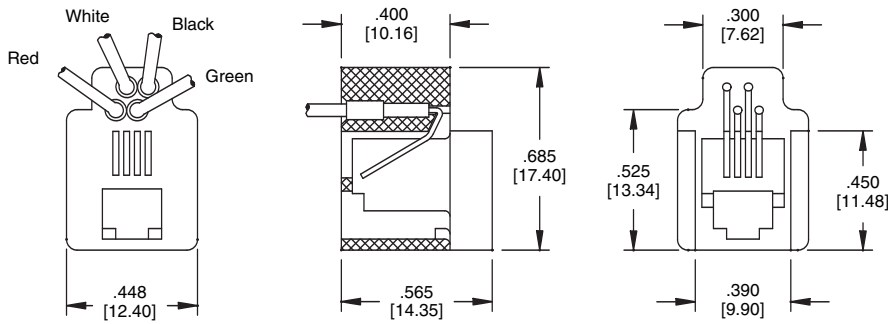
**Wire Lead Options**



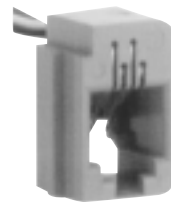
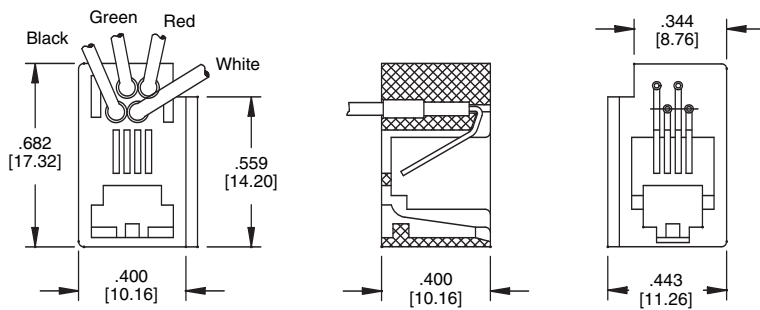
**MTJP-616L**



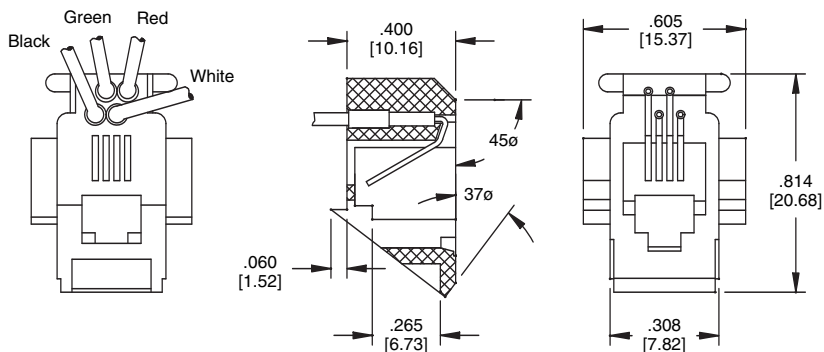
**MTJP-616M**



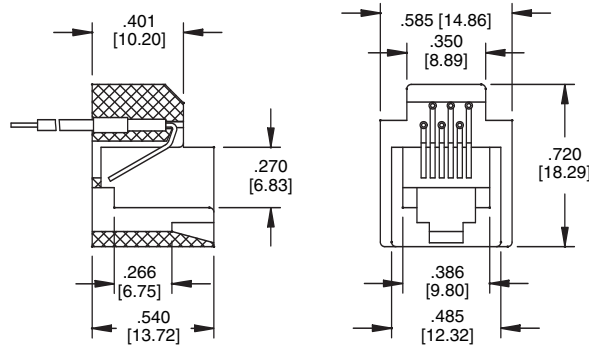
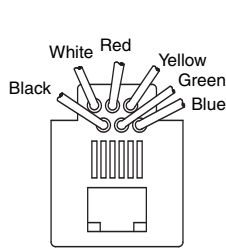
**MTJP-616E**



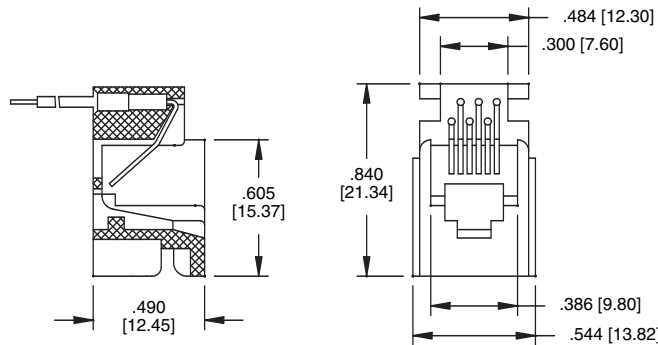
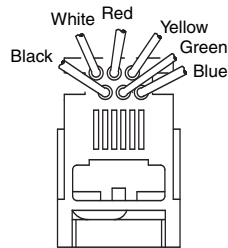
**MTJP-616W**



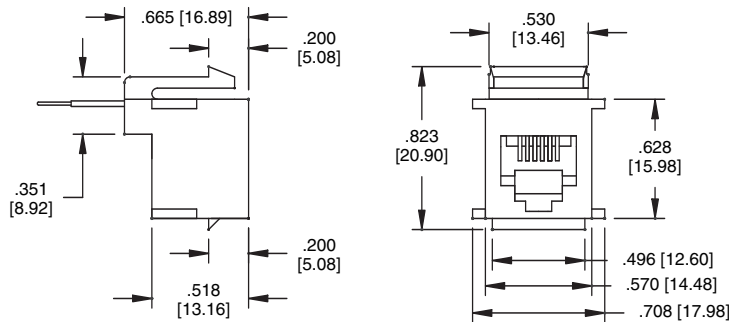
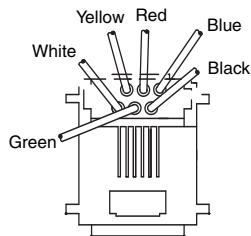
**MTJP-623K4**  
**MTJP-623K6**



**MTJP-623P4**  
**MTJP-623P6**



**MTJP-648K4**  
**MTJP-648K6**



**MTJP-641**  
**MTJP-641 KEYED**

