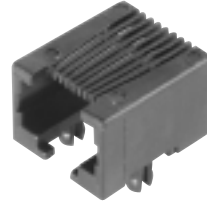


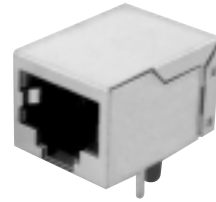
FILTERED MODULAR JACKS

TYPE M

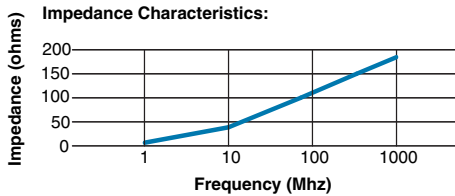
Inductive filtered modular jacks improve signal integrity and are available in a variety of styles including tin plated copper shielding with a choice of magnetic transformer or ferrite filter. Adam Tech offers drop in equivalents to all industry standard filtered jacks



MTJ-88MX1

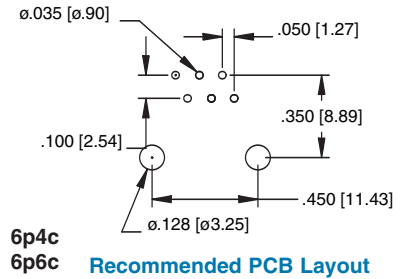
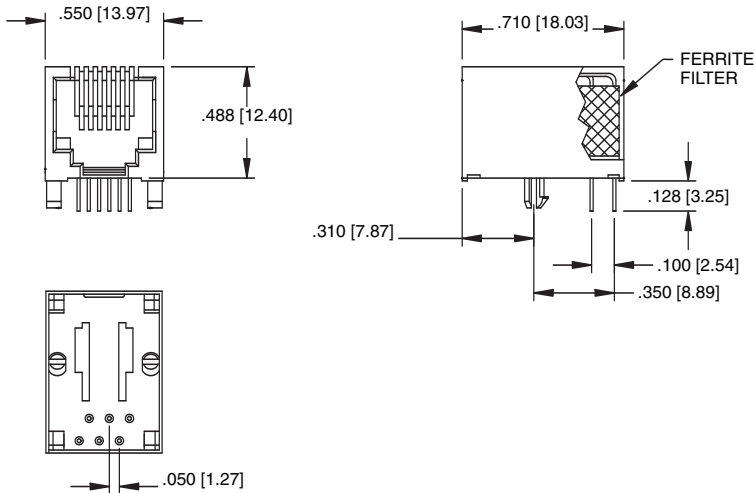


MTJ-88MX1-FSE

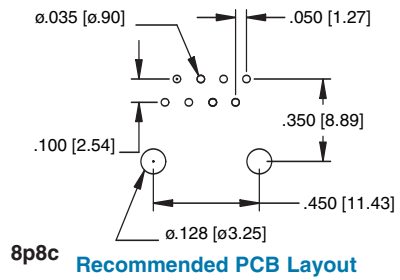


EMI FERRITE FILTERED JACK

Type M
6p6c
6p4c



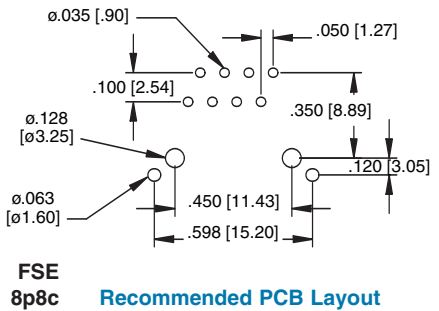
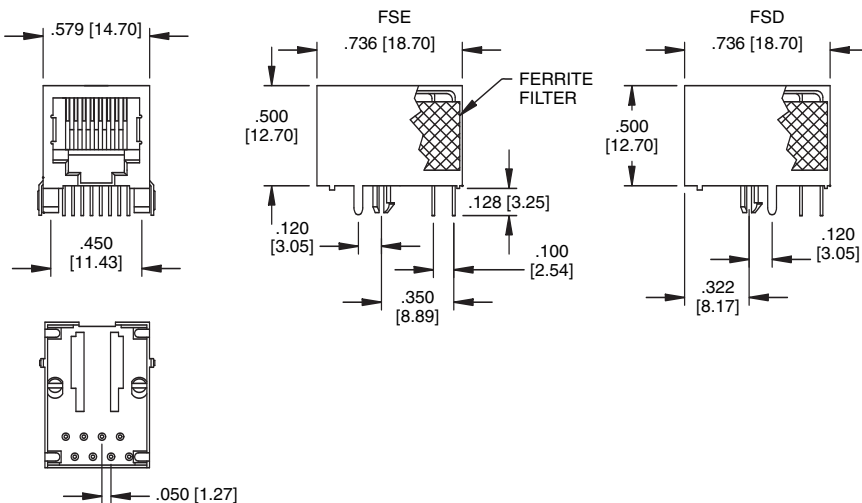
6p4c
6p6c **Recommended PCB Layout**



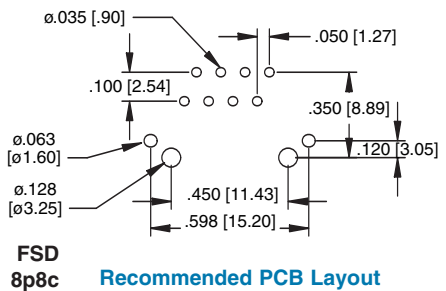
8p8c **Recommended PCB Layout**

EMI FERRITE FILTERED & SHIELDED JACK

Type M
8p8c



FSE
8p8c **Recommended PCB Layout**



FSD
8p8c **Recommended PCB Layout**