

PLCC SOCKETS

PLASTIC LEADED CHIP CARRIER SOCKET

SURFACE MOUNT

PLCC SERIES

INTRODUCTION:

Adam Tech SMT PLCC Series Sockets are low profile, thin wall sockets designed to hold plastic leaded chips which are converted to PCB format on a .050" centerline grid. They conform to all applicable EIA and JEDEC standards. Adam Tech's superior precision stamped contact provides consistent, high retention contacts for all size chips. Their open frame design allows easy solder joint inspection. They are manufactured with Hi-Temp PPS to accommodate SMT soldering processes. Chip exchanges or replacements are easily made with Adam Tech's chip remover part no. PLCC-EXT.

FEATURES:

Full range of sizes from 20P ~ 100P
Consistent, uniform high retention contacts
Compatible with wide range of chip sizes
No solder wicking design
Hi Temp PPS insulator
Open frame design for viewable solder joints

MATING PLASTIC LEADED CHIPS:

All EIA / JEDEC compliant PLCC

SPECIFICATIONS:

Material:

Insulator: PPS, Glass reinforced, rated UL94V-0
Insulator Color: Brown
Contacts: Phosphor Bronze

Contact Plating:

Tin over copper underplate overall

Electrical:

Operating voltage: 250V AC max.
Current rating: 1 Amp max.
Contact resistance: 30 mΩ max. initial
Insulation resistance: 1000 MΩ min.
Dielectric withstanding voltage: 500V AC for 1 minute

Mechanical:

Insertion force: 6.35 oz max.
Withdrawal force: 1.0 oz min

Temperature Rating:

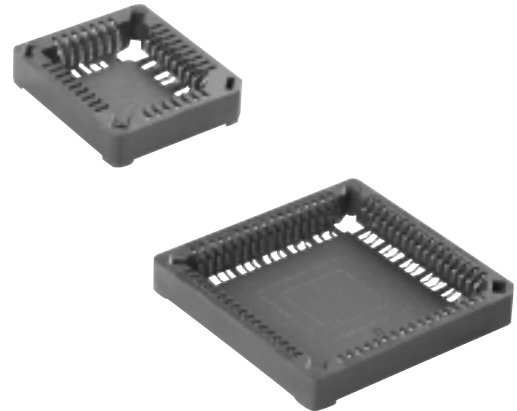
Operating temperature: -55°C to +105°C

PACKAGING:

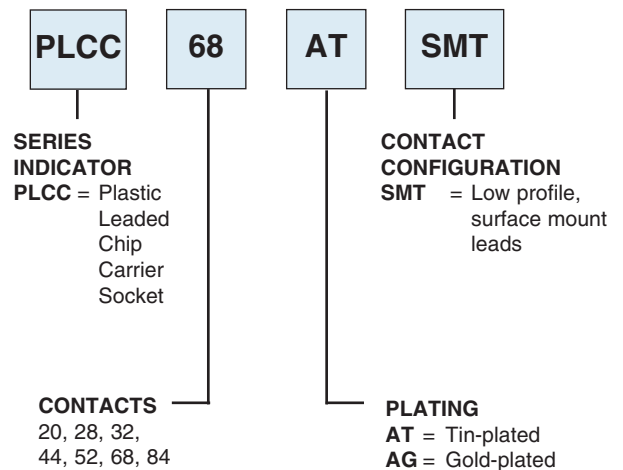
Anti-ESD plastic tubes

APPROVALS AND CERTIFICATIONS:

UL Recognized File No. E224053
CSA Certified File No. LR1578596



ORDERING INFORMATION



OPTIONS:

Add designator(s) to end of part number
P = With polarizing pegs
TR = Tape and reel packaging
RC = RoHS compliant lead-free product with Hi-Temp insulator