

### INTRODUCTION:

Adam Tech HDCE Series EISA (Extended Industry Standard Architecture) Card Edge Connectors are .050" pitch 188 position dual level contact connectors specifically designed to mate with AT, XT and PC expansion cards. Our precision formed High Reliability contact system is contained within a Hi-Temp PPS body which features a close tolerance polarizing slot and card edge lead-in area for superior mating.

### FEATURES:

High density .050" Centerlines  
Compatible with PC, XT & AT  
Durable Long Life cycle contacts  
High Pressure Contacts for Low Level Circuits

### MATING PC BOARDS:

All .050" centerline printed circuit board pads with a thickness of .062 to .072"

### SPECIFICATIONS:

#### Material:

Insulator: PPS, 30% glass reinforced, rated UL94V-0  
Insulator Color: Dark Brown (White optional)  
Contacts: Phosphor Bronze

#### Contact Plating:

Gold Flash (30 µin Optional) over Nickel underplate on contact area, tin over copper underplate on tails.

#### Electrical:

Operating voltage: 125V AC max.  
Current rating: 3 Amps max.  
Contact resistance: 20 mΩ max. initial  
Insulation resistance: 1000 MΩ min.  
Dielectric withstanding voltage: 500V AC for 1 minute

#### Mechanical:

Insertion force: 7 oz max.  
Withdrawal force: 0.9 oz min

#### Temperature Rating:

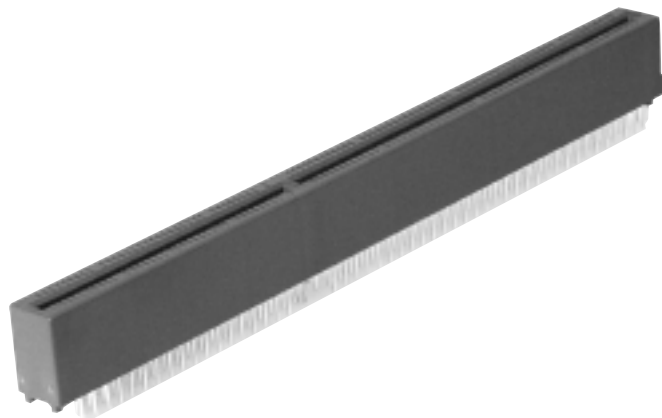
Operating temperature: -55°C to +105°C

### PACKAGING:

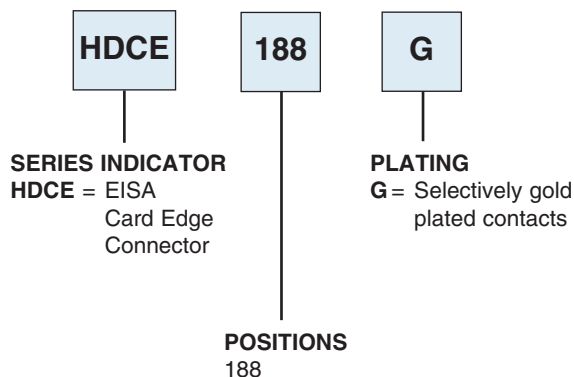
Anti-ESD plastic trays

### APPROVALS AND CERTIFICATIONS:

UL Recognized File No. E224053  
CSA Certified File No. LR1578596



### ORDERING INFORMATION



### OPTIONS:

Add designator(s) to end of part number  
BK = Black color insulation  
RC = RoHS compliant lead-free product  
with Hi-Temp insulator