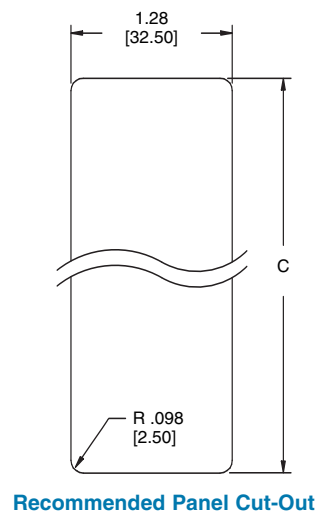
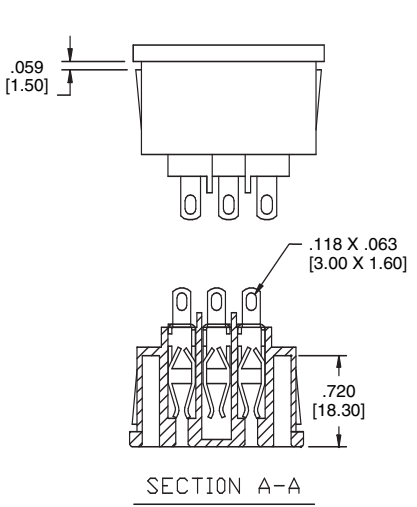
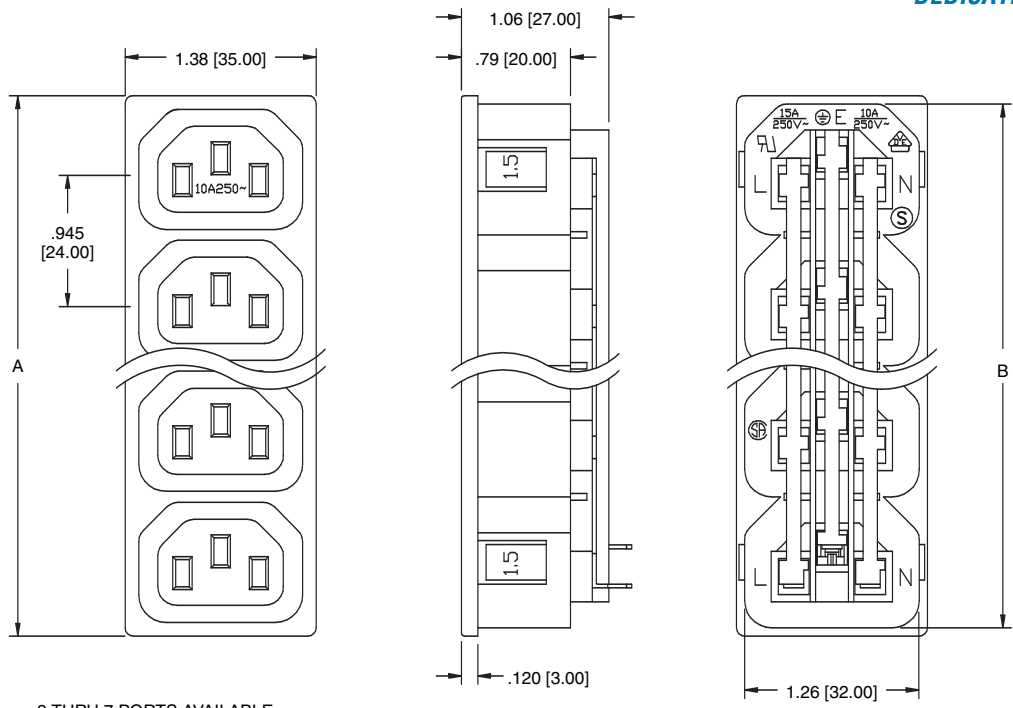


IEC-D-S
DEDICATED PANEL SNAPS



IEC-D-S4-150

DIMENSIONS				
PART NUMBER	PORTS	A	B	C
IEC-D-S2-150	2	2.007 [51.00]	1.890 [48.00]	1.901 [48.30]
IEC-D-S3-150	3	2.953 [75.00]	2.835 [72.00]	2.846 [72.30]
IEC-D-S4-150	4	3.897 [99.00]	3.780 [96.00]	3.791 [96.30]
IEC-D-S5-150	5	4.842 [123.00]	4.724 [120.00]	4.736 [120.30]
IEC-D-S6-150	6	5.787 [147.00]	5.670 [144.00]	5.681 [144.30]
IEC-D-S7-150	7	6.732 [171.00]	6.614 [168.00]	6.626 [168.30]