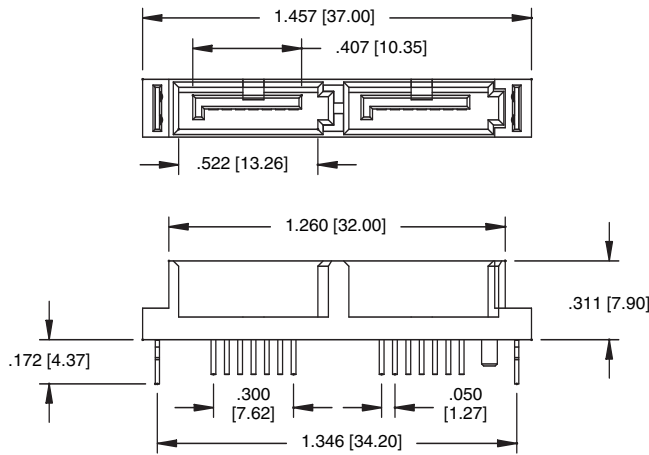
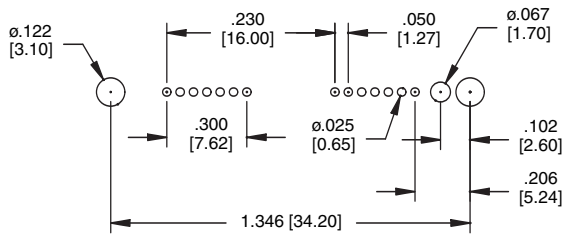


TYPE F

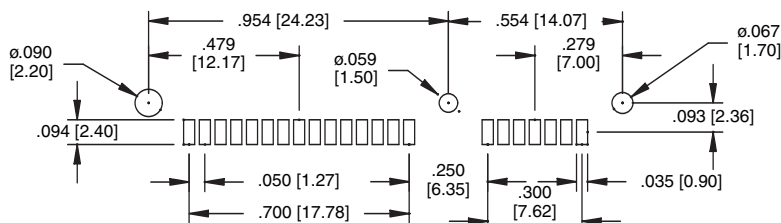
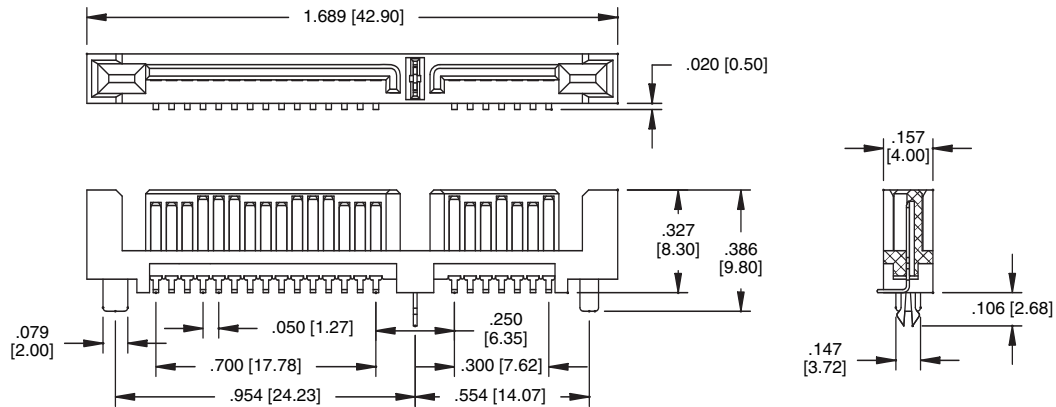


SATA-F-PL-VT-K-P



Recommended PCB Layout

TYPE G



SATA-G-PM-SMT