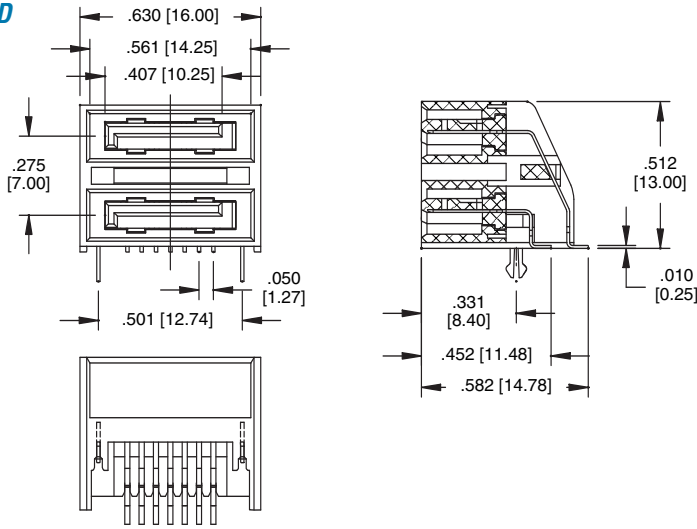
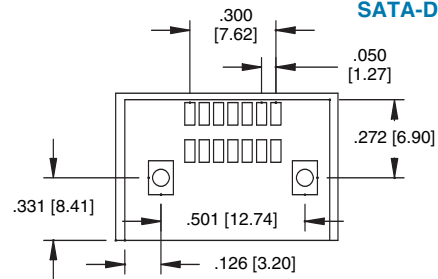


**TYPE D**

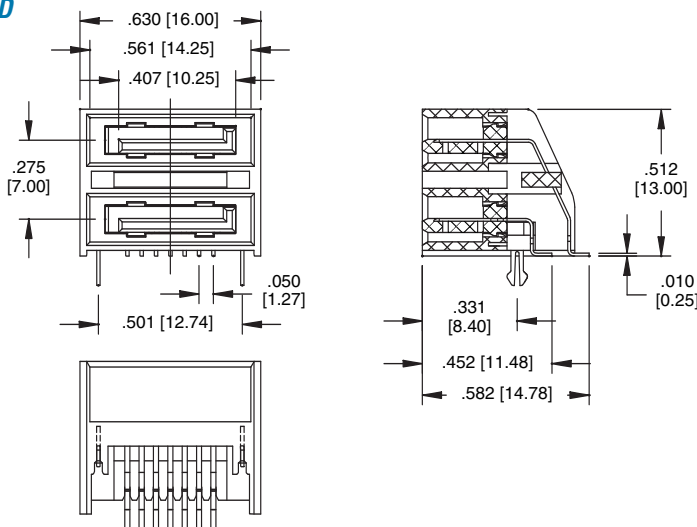


**SATA-D-PL-SMT-S**

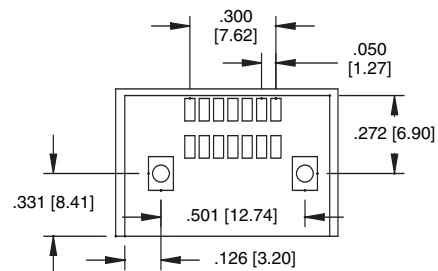


**Recommended PCB Layout**

**TYPE D**

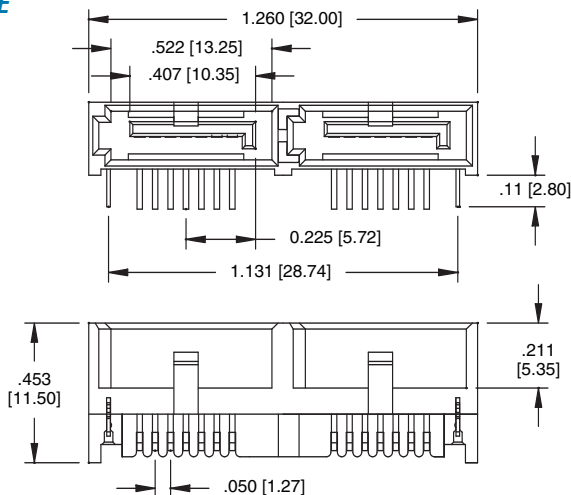


**SATA-D-PR-SMT-S**

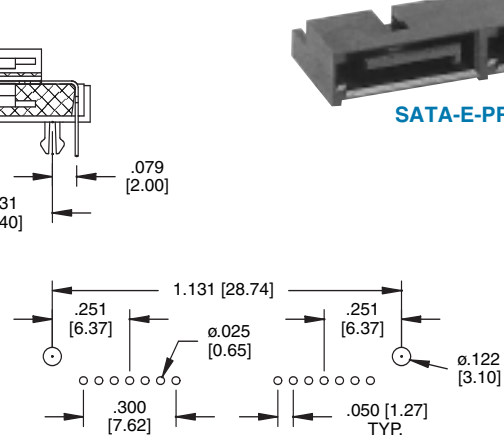


**Recommended PCB Layout**

**TYPE E**



**SATA-E-PR-RT-K**



**Recommended PCB Layout**