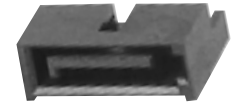
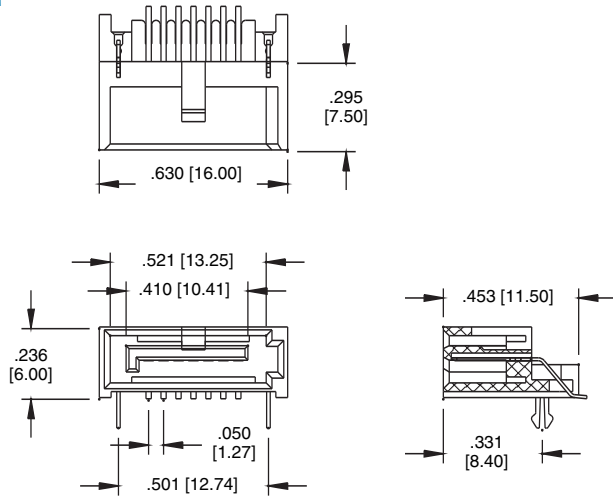
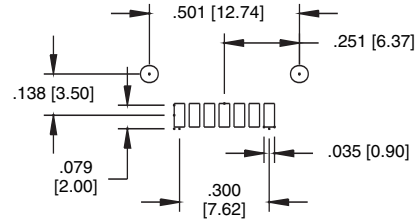


## TYPE A

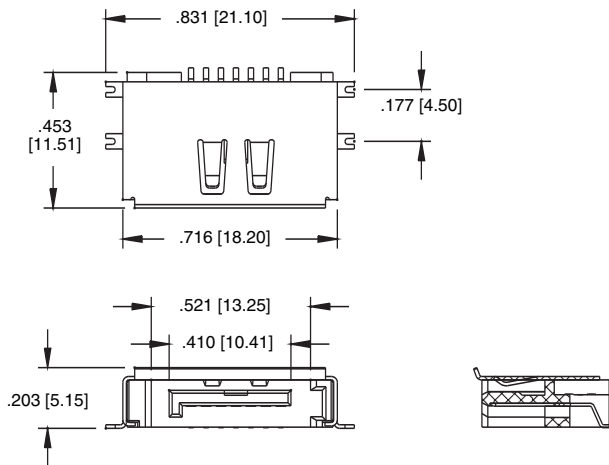


SATA-A-PL-SMT-K

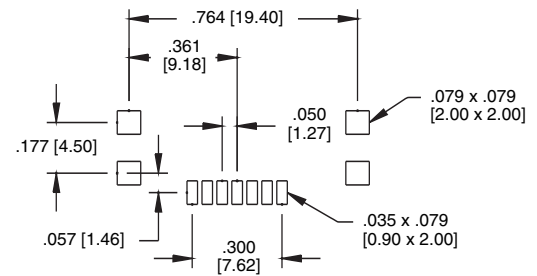


Recommended PCB Layout

## TYPE B

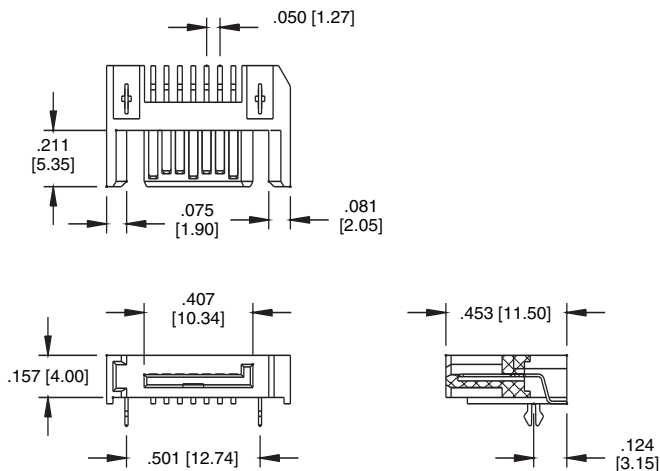


SATA-B-PL-SMT-K

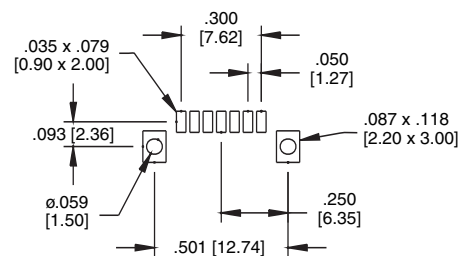


Recommended PCB Layout

## TYPE C



SATA-C-PR-SMT-K



Recommended PCB Layout