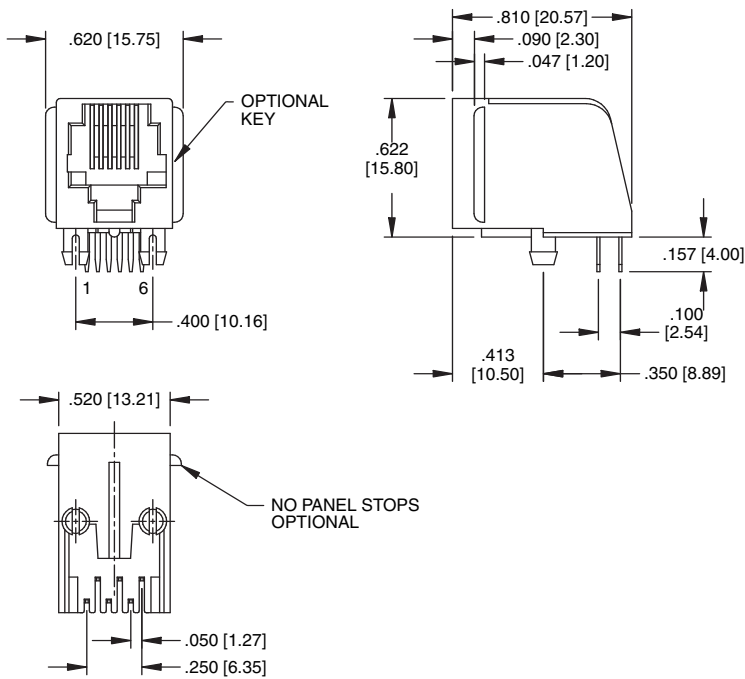
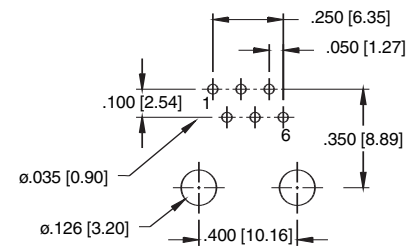


TYPE 1

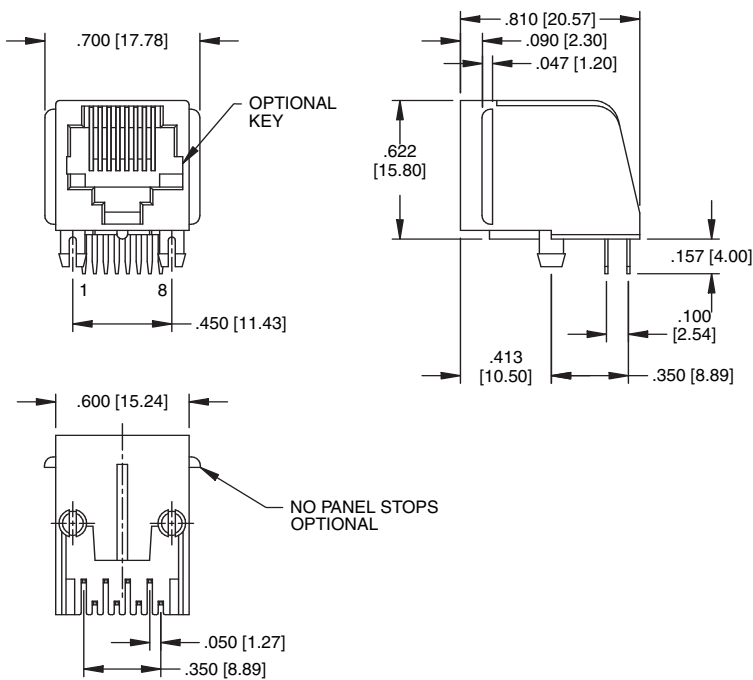


MTJ-661X1

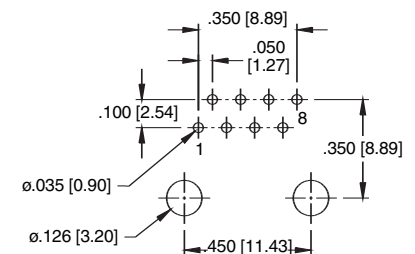


Recommended PCB Layout

TYPE 1



MTJ-881X1



Recommended PCB Layout