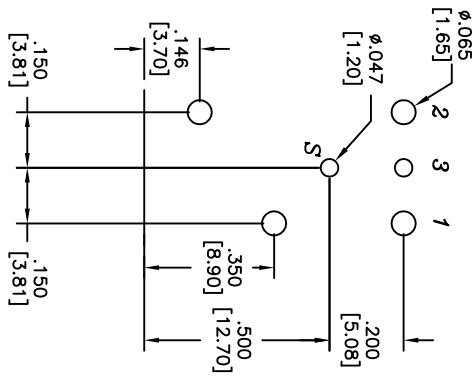
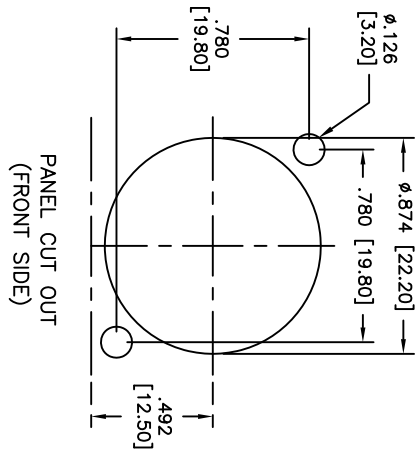
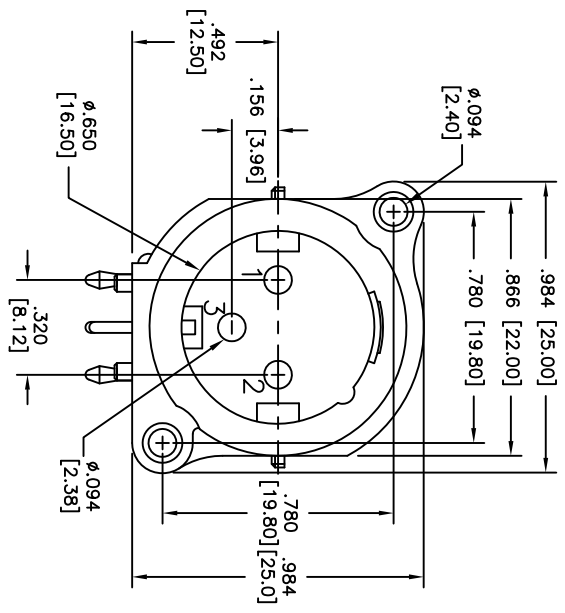
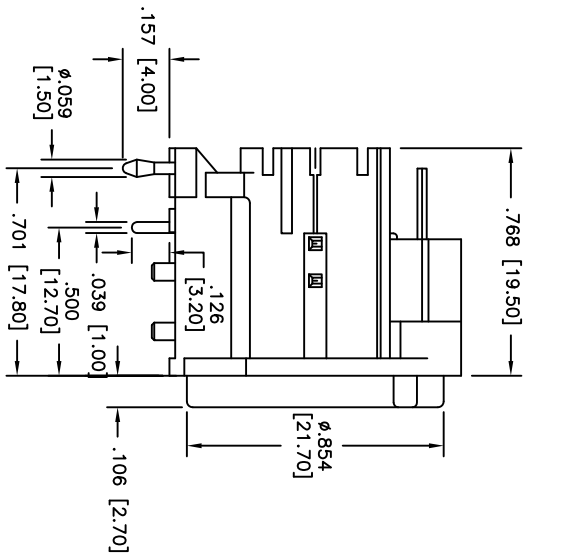
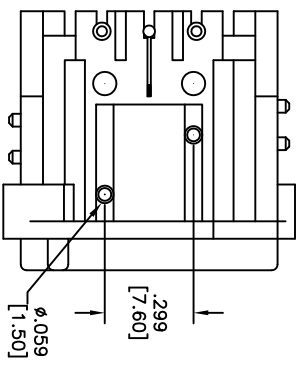


Rev	AWO #	Description	Date	Appr
-		RELEASED	6/24/10	

APPROVED: _____
 DATE: _____ TITLE: _____



RECOMMENDED PCB LAYOUT (BOTTOM VIEW)



SPECIFICATIONS:

Material: Nylon
 Insulator: Black
 Contact: Brass, Gold plated
 Latch Lock: SK7, Nickel plated
 Sleeve: P.B.S, Silver plated



UNLESS OTHERWISE SPECIFIED
 ALL DIMENSIONS ARE INCHES [MM]
 TOLERANCES: EXCEPT AS NOTED
 INCHES HOLE SIZES
 .X ±.10 ØX ±.10
 .XX ±.020 ØXX ±.015
 .XXX ±.015 ØXXX ±.010

ADAM TECH
 909 Railway Avenue, Union, NJ 07083
 Phone: 908-687-5000 Fax: 908-687-5710

DRAWN	DY	6/24/10
CHECKED		
APPROVED		

TITLE	XLR CONNECTOR, MALE, 3 PIN, PANEL MOUNT	
SIZE	PART NO.	XLR-003-M-002
REF: S00030C	SCALE: NTS	SHEET 1 OF 1