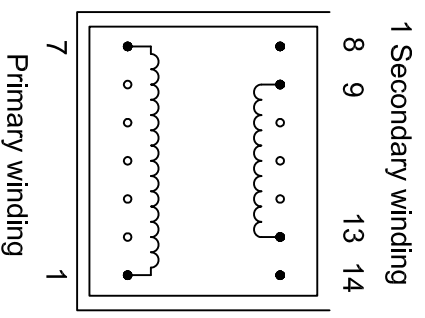
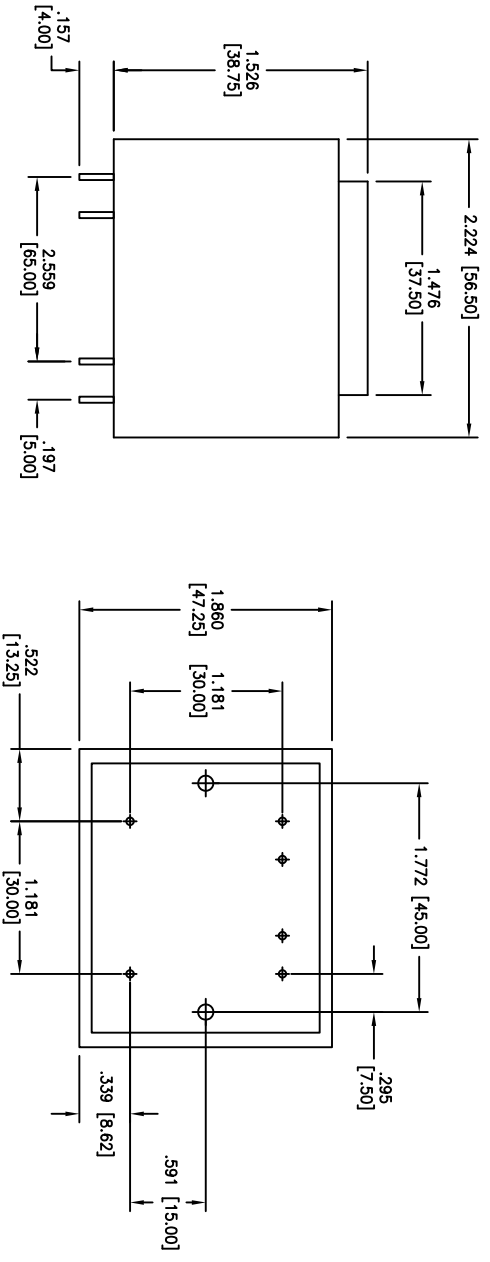


Rev	AWO #	Description	Date	Appr
-	11425	RELEASED	6/14/11	

APPROVED: _____
 DATE: _____ TITLE: _____



PRIMARY VOLTAGE: 230				
Secondary voltage V	Secondary Current mA	No-load voltage V	Ambient Temperature	Rating VA
15	1067	18.4	TS0B	16

SPECIFICATIONS:
 Environmental:
 Lead free, RoHS compliant



UNLESS OTHERWISE SPECIFIED
 ALL DIMENSIONS ARE INCHES [MM]
 TOLERANCES: EXCEPT AS NOTED
 INCHES HOLES
 X ± .10 Ø.X ± .10
 XX ± .020 Ø.XX ± .015
 XXX ± .015 Ø.XXX ± .010

APPROVALS	DATE
DRAWN DY	6/14/11
CHECKED	
APPROVED	

ADAM TECH
 909 Rahway Avenue, Union, NJ 07083
 Phone: 908-687-5000 Fax: 908-687-5710

TITLE: PCB MOUNT TRANSFORMERS - EI RANGE

SIZE	PART NO.	REV.
X	XFMR-0001	-
REF: S00068C	SCALE: NTS	SHEET 1 OF 1