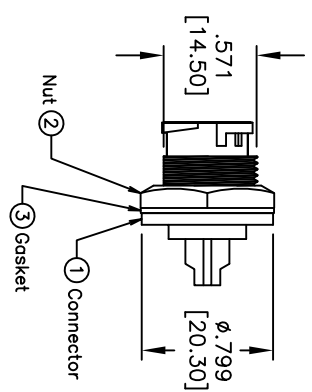
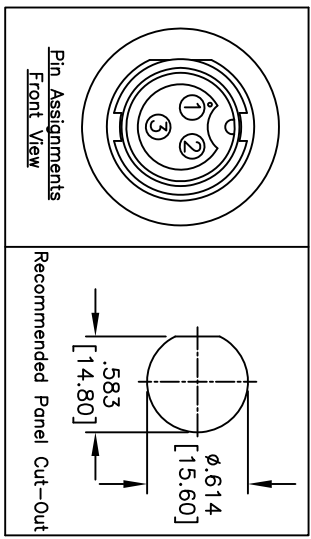
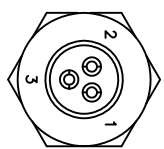
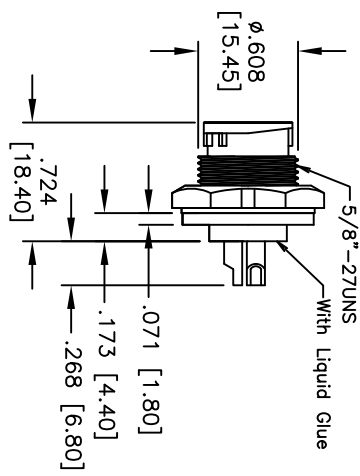
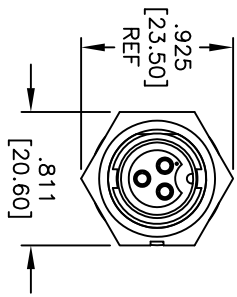


Rev	AWO #	Description	Date	Appr
-		RELEASED	3/28/11	

APPROVED: \_\_\_\_\_  
 DATE: \_\_\_\_\_ TITLE: \_\_\_\_\_



**SPECIFICATIONS:**

**Material:**  
 Housing: Nylon, glass reinforced, color Black  
 Contact: Copper Alloy, Gold plated  
 Nut: Nylon, glass reinforced, color Black  
 Gasket: EPDM, color Black

**Electrical:**  
 Waterproof Rate: IP67  
 Use with waterproof Cap or Dustcap panel thickness Max: 3.0mm  
 Use without waterproof Cap or Dustcap panel thickness Max:4.5mm

**Environmental:**  
 Lead free, RoHS compliant



UNLESS OTHERWISE SPECIFIED  
 ALL DIMENSIONS ARE IN INCHES [MM]  
 TOLERANCES: EXCEPT AS NOTED

INCHES	HOLES
.X ± .10	ØX ± .10
.XX ± .020	ØXX ± .015
.XXX ± .015	ØXXX ± .010

APPROVALS: \_\_\_\_\_ DATE: \_\_\_\_\_

DRAWN	DY	3/28/11
CHECKED		
APPROVED		

**ADAM TECH**  
 909 Rahway Avenue, Union, NJ 07083  
 Phone: 908-687-5000 Fax: 908-687-5710

TITLE: WATER PROOF MALE CONNECTOR, FEMALE PIN, 3P

SIZE	PART NO.	REV.
X	WP-PL-03-M-FP	.
REF: S00109T	SCALE: NTS	SHEET 1 OF 1