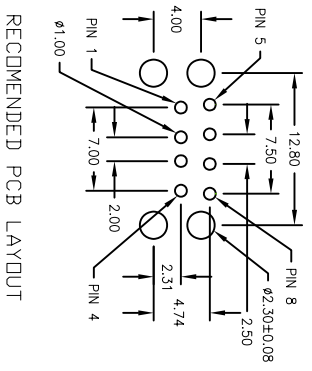
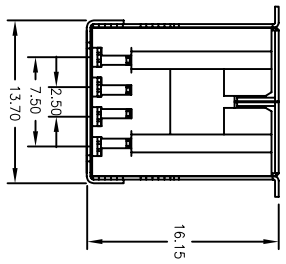
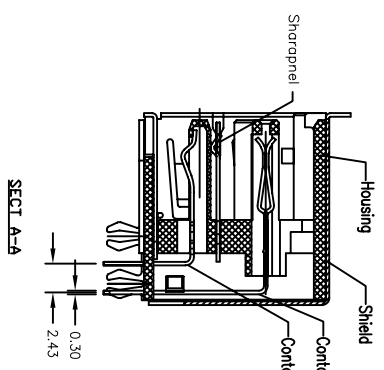
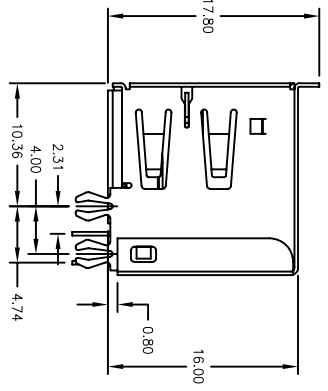
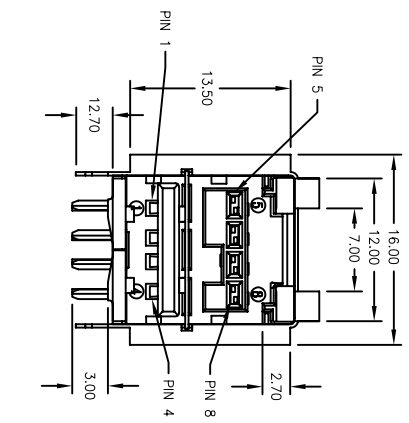
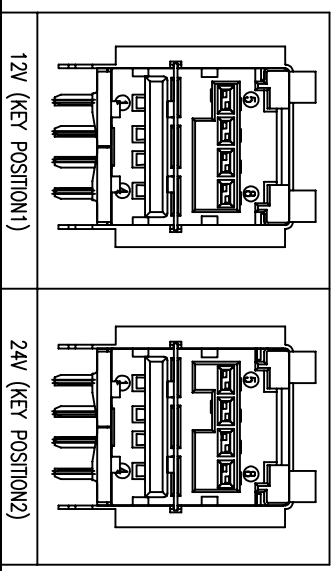


APPROVED: \_\_\_\_\_  
 DATE: \_\_\_\_\_ TITLE: \_\_\_\_\_

Rev	AWO #	Description	Date	Appr
-	4/194	RELEASED	02/17/05	
A		REMOVED 5V OPTION	2/14/08	



P/N	VOLTAGE	DESCRIPTION	HOUSING COLOR
USBP-A-12V-D-RA-GRN	12V	POSITION 1	Green
USBP-A-24V-D-RA-RED	24V	POSITION 2	Red



**SPECIFICATIONS:**

Material: Insulator: Nylon 66, rated UL 94V-0  
 Insulator color: See chart  
 Contacts: Phosphor Bronze  
 Shell: Phosphor bronze, tin plated.  
 Plating: 30 u" gold over Nickel underplate on contacts, Tin over Copper underplate on tails

Electrical: Operation voltage: 250V AC max  
 Current rating: 1.5 Amps max  
 Contact resistance: 30 mohms max  
 Insulation resistance: 1000 Mohms min @ 500 VDC  
 Dielectric withstanding voltage: 500 VAC for 1 minute  
 Environmental: Operating temperature: -55°C to +85°C  
 Meets and conforms to USB 2.0 specification for electrical, mechanical & environmental parameters

Lead free, RoHS compliant.  
 Recommended soldering temp: 235°C for 5 sec.



**ADAM TECH**

909 Rahway Avenue, Union, NJ 07083  
 Phone: 908-687-5000 Fax: 908-687-5710

TITLE: USB CONNECTOR, TYPE A WITH POWER, R/A, PCB MOUNT

UNLESS OTHERWISE SPECIFIED ALL DIMENSIONS ARE MM [INCHES] TOLERANCES: EXCEPT AS NOTED	
INCHES	HOLES
.X ± .10	ØXX ± .015
.XX ± .020	ØXXX ± .010
.XXX ± .015	
APPROVALS	DATE
DRAWN SS	02/17/05
CHECKED	
APPROVED	

SIZE	PART NO.	REV.
X	USBP-A-XXV-D-RA-XXX	A
REF:	SCALE: NTS	SHEET 1 OF 1