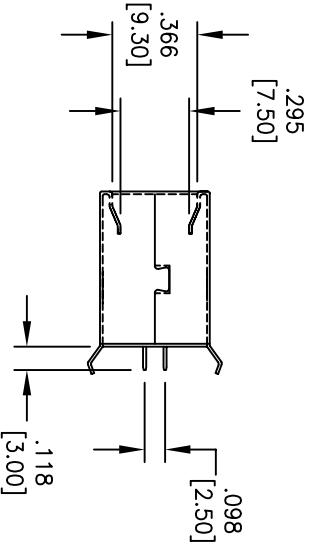
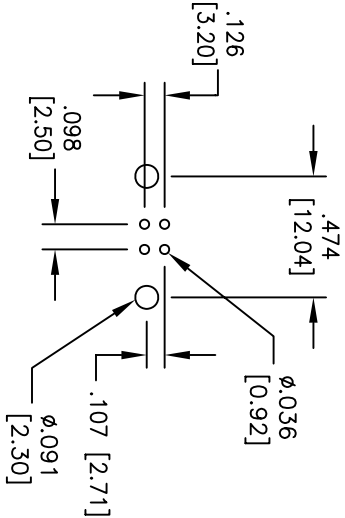
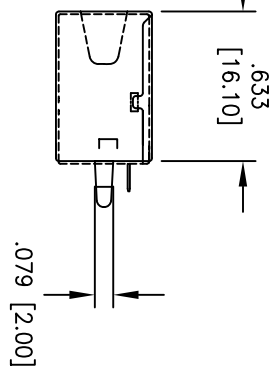
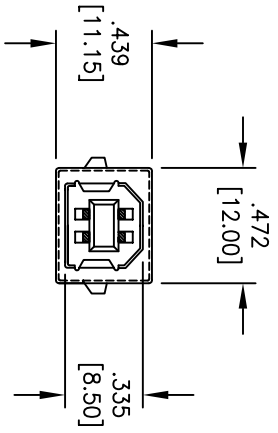


Rev	AWO #	Description	Date	Appr
-		RELEASED	12/3/04	

APPROVED: _____
 DATE: _____ TITLE: _____



PCB LAYOUT (COMPONENT SIDE)

SPECIFICATIONS:
 Material:
 Insulator: PBT, Glass filled, rated UL 94V-0
 Insulator color: Black
 Contacts: Phosphor Bronze
 Shell: Steel, nickel plated
 Plating:
 Gold flash over Nickel underplate on contact area, Tin over Copper underplate on PCB tails
 Electrical:
 Operating voltage: 250 VAC max.
 Current rating: 1 Amp max.
 Contact resistance: 30 mohms max.
 Insulation resistance: 100 Mohms min. @ 500 VDC
 Dielectric withstanding voltage: 250 VAC for 1 minute
 Temperature Rating:
 Operating temperature: -40°C to +85°C
 Environmental:
 Lead free, RoHS compliant.
 Recommended soldering temp: 235°C for 5 sec.



UNLESS OTHERWISE SPECIFIED ALL DIMENSIONS ARE INCHES [MM] TOLERANCES: EXCEPT AS NOTED	
INCHES	MM
X ± .10	ØX ± .015
.XX ± .020	ØXX ± .015
.XXX ± .015	ØXXX ± .010
APPROVALS	
DATE	
DRAWN	SS
CHECKED	
APPROVED	

ADAM TECH
 909 Railway Avenue, Union, NJ 07083
 Phone: 908-687-5000 Fax: 908-687-5710

TITLE	UNIVERSAL SERIAL BUS
TITLE	SINGLE PORT, VERTICAL, PCB
SIZE	PART NO.
X	USB-B-S-VT
SCALE:	INTS
SHEET	1 OF 1