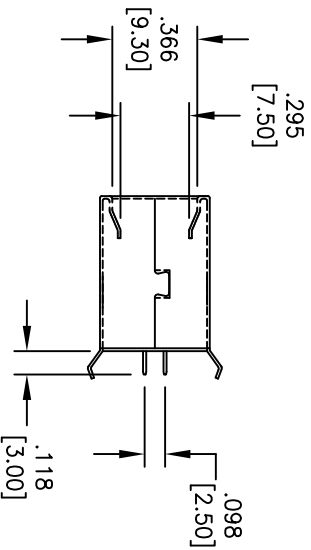
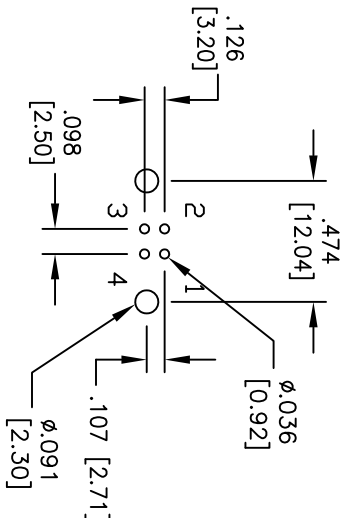
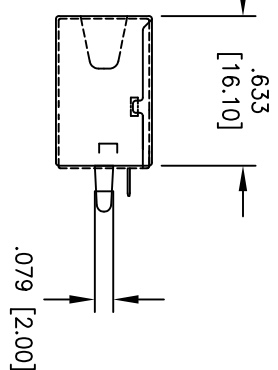
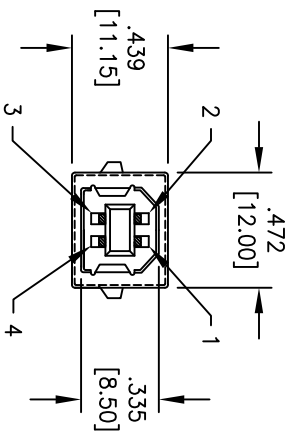


Rev	AWO #	Description	Date	Appr
-		RELEASED	12/3/04	

APPROVED: _____
 DATE: _____ TITLE: _____



PCB LAYOUT (COMPONENT SIDE)

B SPECIFICATIONS:

Material: Insulator: PBT, Glass filled, rated UL 94V-0
 Insulator color: White
 Contacts: Phosphor Bronze
 Shell: Steel, nickel plated
 Plating: Gold flash over Nickel underplate on contact area, Tin over Copper underplate on PCB tails

Electrical:

Operating voltage: 250 VAC max.
 Current rating: 1 Amp max.
 Contact resistance: 30 mohms max.
 Insulation resistance: 100 Mohms min. @ 500 VDC
 Dielectric withstanding voltage: 250 VAC for 1 minute
 Temperature Rating: Operating temperature: -40°C to +85°C

Environmental:

Lead free, RoHS compliant.
 Recommended soldering temp: 235°C for 5 sec.



ADAM TECH

909 Rahway Avenue, Union, NJ 07083
 Phone: 908-687-5000 Fax: 908-687-5710

TITLE: UNIVERSAL SERIAL BUS
 SINGLE PORT, VERTICAL, PCB

UNLESS OTHERWISE SPECIFIED ALL DIMENSIONS ARE INCHES [MM]	
TOLERANCES: EXCEPT AS NOTED	
X .10	ØX ±.10
.XX ±.020	ØXX ±.015
.XXX ±.015	ØXXX ±.010
APPROVALS	DATE
DRAWN SS	10/4/04
CHECKED	
APPROVED	

SIZE X	PART NO. USB-B-S-VT-WT	REV. -
REF:	SCALE: NTS	SHEET 1 OF 1

6

5

4

3

2

1