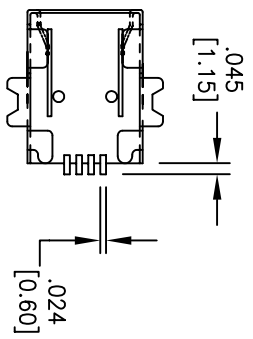
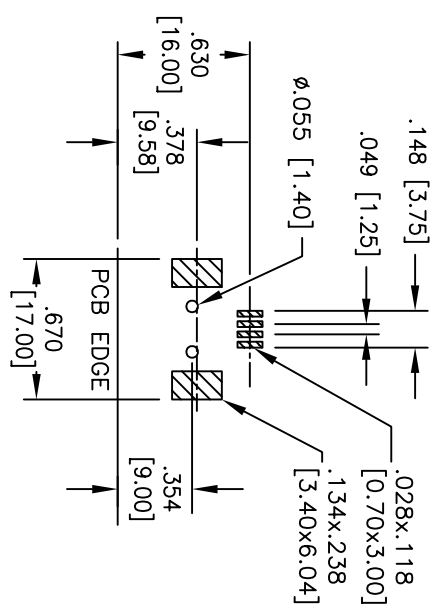
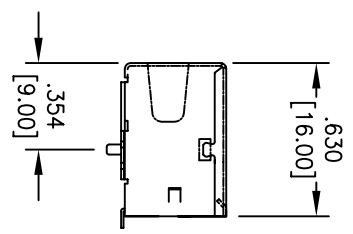
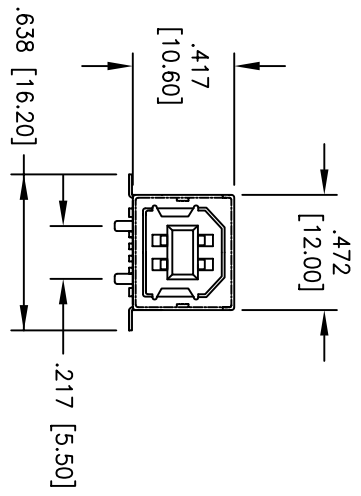


Rev	AWO #	Description	Date	Appr
-		RELEASED	12/3/04	

APPROVED: _____ TITLE: _____
 DATE: _____



PCB LAYOUT

SPECIFICATIONS:

Material: Insulator: Hi-Temp Nylon PA9T, rated UL 94V-0
 Insulator color: White
 Contacts: Phosphor Bronze
 Shell: Steel, nickel plated
 Plating: Gold flash over Nickel underplate on contact area, Tin over Copper underplate on SMT tails

Electrical:
 Operating voltage: 250 VAC max.
 Current rating: 1 Amp max.
 Contact resistance: 30 mohms max.
 Insulation resistance: 100 Mohms min. @ 500 VDC
 Dielectric withstanding voltage: 250 VAC for 1 minute
 Temperature Rating: Operating temperature: -55°C to +105°C

Environmental:
 Lead free, RoHS compliant.
 Recommended soldering temp: 260 for 5 sec.



UNLESS OTHERWISE SPECIFIED ALL DIMENSIONS ARE INCHES [MM] TOLERANCES: EXCEPT AS NOTED INCHES	
X	± .10
.XX	± .020
.XXX	± .015
ØXX	± .010
ØXXX	± .010
APPROVALS	
DRAWN	SS
CHECKED	
APPROVED	
DATE	10/4/04

ADAM TECH
 909 Rahway Avenue, Union, NJ 07083
 Phone: 908-687-5000 Fax: 908-687-5710

TITLE: UNIVERSAL SERIAL BUS
 SINGLE PORT, RIGHT ANGLE, SMT

SIZE	PART NO.	SCALE	SHEET
X	USB-B-S-RA-SMT-WT	MIS	1 OF 1
REV.			