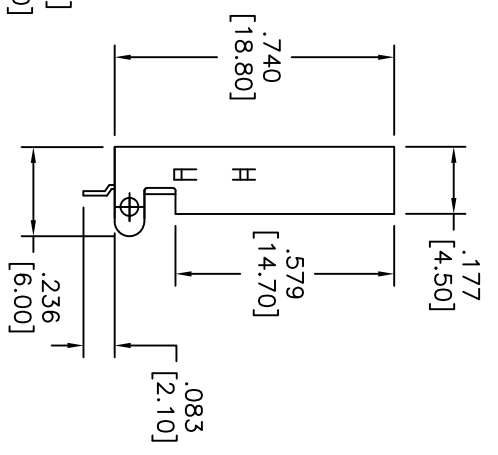
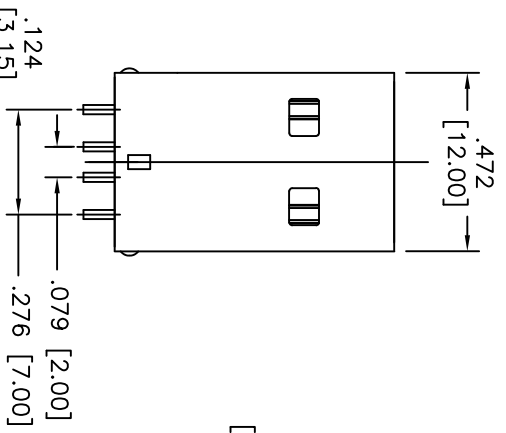
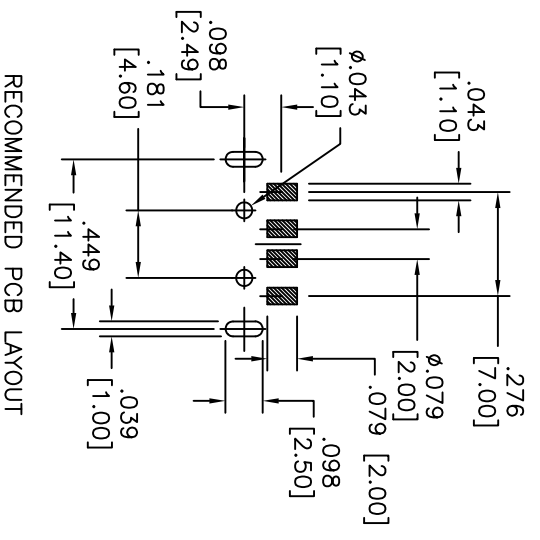
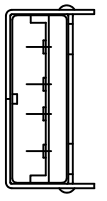


APPROVED: \_\_\_\_\_  
 DATE: \_\_\_\_\_ TITLE: \_\_\_\_\_

Rev	AWO #	Description	Date	Appr
-		RELEASED	9/17/07	
A		REDRAWN	5/18/11	

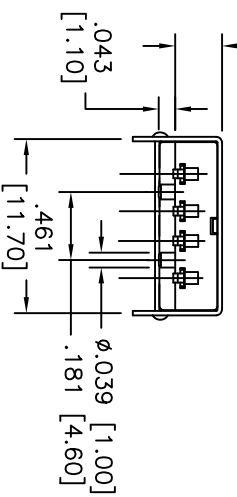


RECOMMENDED PCB LAYOUT

**SPECIFICATIONS:**

**Material:**  
 Insulator: Hi-Temperature Thermoplastic, rated UL 94V-0  
 Insulator color: Black  
 Contacts: Brass  
 Shell: SPCC, Nickel plated  
 Plating:  
 Gold Flash over Nickel underplate on contact area,  
 Tin over Copper underplate on SMT tails

**Electrical:**  
 Operating voltage: 30 VAC  
 Current rating: 1 Amp  
 Contact resistance: 30 mohms max.  
 Insulation resistance: 1000 Mohms min.  
 Dielectric withstanding voltage: 500 VAC for 1 minute  
 Temperature Rating:  
 Temperature range: -20°C to +60°C  
**Environmental:**  
 Lead free, RoHS compliant.  
 Recommended soldering temp: 260°C for 5 sec.



**ADAM TECH**  
 909 Rahway Avenue, Union, NJ 07083  
 Phone: 908-687-5000 Fax: 908-687-5710

TITLE: USB CONNECTOR, A TYPE PLUG, SMT  
 SEL GOLD FLASH, BLACK INSULATOR

UNLESS OTHERWISE SPECIFIED ALL DIMENSIONS ARE MM [INCHES] TOLERANCES: EXCEPT AS NOTED	
X ± .10"	ØX ± .10"
XX ± .020"	ØXX ± .015"
XXX ± .015"	ØXXX ± .010"
APPROVALS	DATE
DRAWN SS	9/17/07
CHECKED	
APPROVED	

SIZE X	PART NO. USB-AP-S-RA-SMT	REV. A
REF: S00005C	SCALE: NTS	SHEET 1 OF 1

