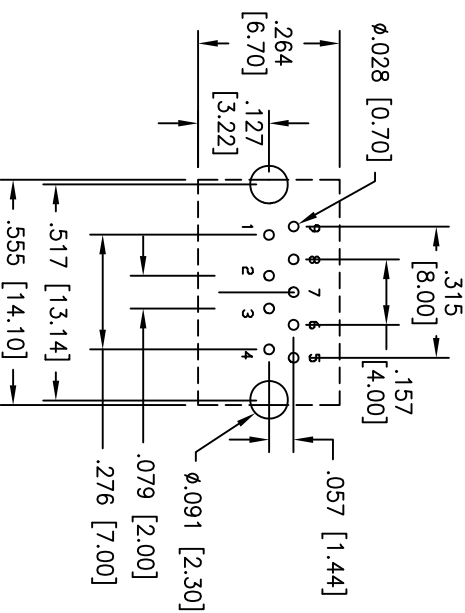
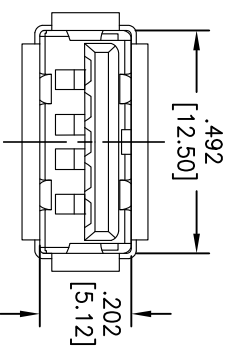
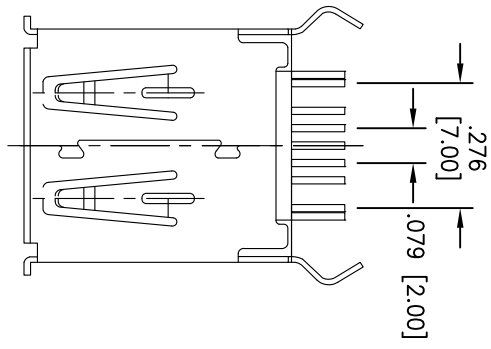
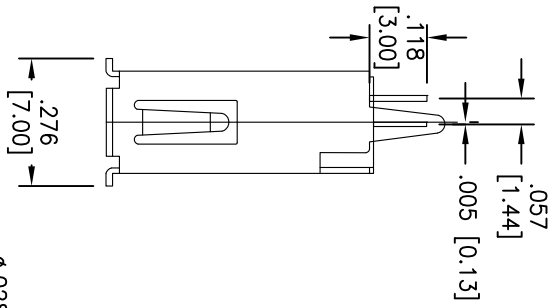
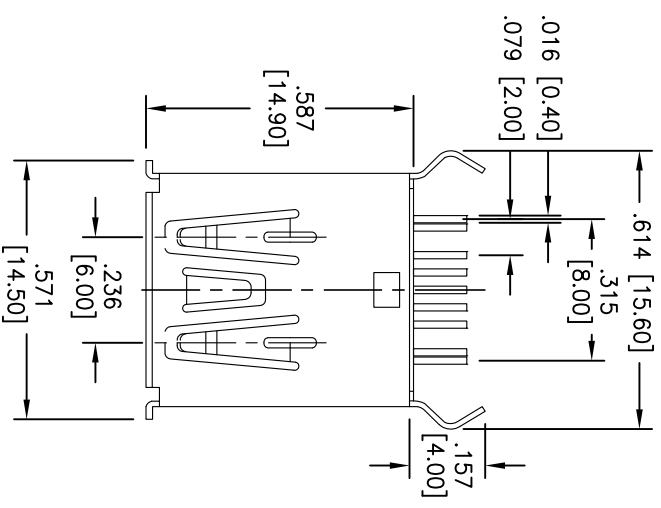


Rev	AWO #	Description	Date	Appr
-		RELEASED	12/3/10	

APPROVED: _____
 DATE: _____ TITLE: _____



RECOMMENDED PCB LAYOUT

PIN NUMBER	SIGNALNAME
1	VBUS
2	D-
3	D+
4	GND
5	StdA_SSRX-
6	StdA_SSRX+
7	GND_DRAIN
8	StdA_SSTX-
9	StdA_SSTX+
SHELL Shield	

SPECIFICATIONS:

Material:
 Insulator: Hi-temp thermoplastic, rated UL 94V-0
 Insulator color: Blue
 Contacts: Brass
 Shell: Steel, Nickel plated
Plating:
 Gold over Nickel underplate on contact area,
 Tin over Copper underplate on solder tails.
Electrical:
 Current rating: 1.5 A
 Contact resistance: 30 mohms max.
 Insulation resistance: 1000 Mohms min.
 Dielectric withstanding voltage: 500 VAC for 1 minute
 Temperature Rating:
 Operating temperature: -40°C to +85°C
Environmental:
 Lead free, RoHS compliant.
 Recommended soldering temp: 260°C for 5 sec.

6 5 4 3 2 1

ADAM TECH

909 Rahway Avenue, Union, NJ 07083
 Phone: 908-687-5000 Fax: 908-687-5710

UNIVERSAL SERIAL BUS 3.0, TYPE A
 SINGLE PORT, VERTICAL MOUNT

UNLESS OTHERWISE SPECIFIED ALL DIMENSIONS ARE IN MM TOLERANCES: EXCEPT AS NOTED INCHES	
X ± .10	ØX ± .10
XX ± .020	ØXX ± .015
XXX ± .015	ØXXX ± .010
APPROVALS	
DRAWN	AY
CHECKED	AH
APPROVED	
DATE	12/3/10

SIZE	PART NO.	REV.
X	USB-A3-S-VT	-
REF: S00042C	SCALE: NTS	SHEET 1 OF 1

6 5 4 3 2 1

