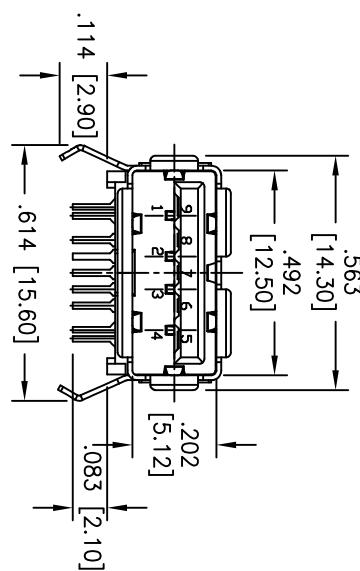
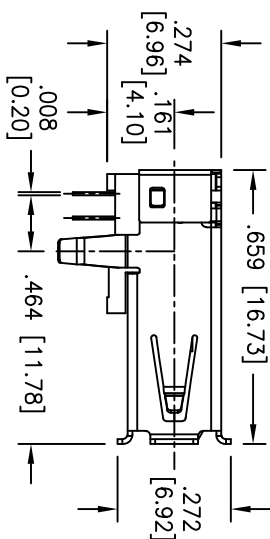
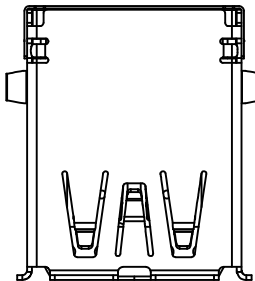


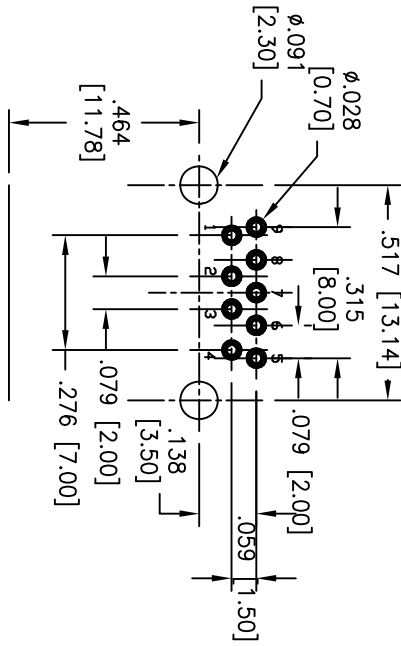
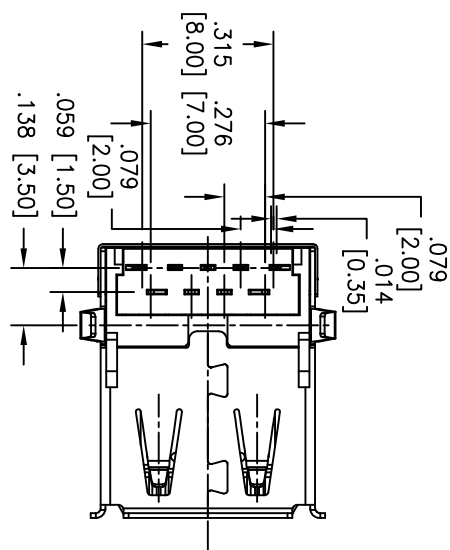
APPROVED: _____

DATE: _____ TITLE: _____

Rev	AWO #	Description	Date	Appr
-		RELEASED	12/3/10	



Pin NUMBER	SIGNAL NAME
1	VBUS
2	D-
3	D+
4	GND
5	Stda_SSRX-
6	Stda_SSRX+
7	GND_DRAIN
8	Stda_SSTX-
9	Stda_SSTX+
SHELL Shield	



RECOMMENDED PCB LAYOUT

SPECIFICATIONS:

- Material: Insulator: Hi-temp thermoplastic, rated UL 94V-0
- Insulator color: Blue
- Contacts: Brass
- Shell: Steel, Nickel plated
- Plating: Gold over Nickel underplate on contact area, Tin over Copper underplate on solder tails.
- Current rating: 1.5 A AC/DC
- Contact resistance: 30 mohms max.
- Insulation resistance: 1000 Mohms min.
- Dielectric withstanding voltage: 500 VAC for 1 minute
- Temperature Rating: Operating temperature: -40°C to +85°C
- Environmental: Lead free, RoHS compliant.
- Recommended soldering temp: 260°C for 5 sec.



ADAM TECH

909 Rahway Avenue, Union, NJ 07083
 Phone: 908-687-5000 Fax: 908-687-5710

TITLE: UNIVERSAL SERIAL BUS 3.0, TYPE A
 SINGLE PORT, RIGHT ANGLE

UNLESS OTHERWISE SPECIFIED ALL DIMENSIONS ARE IN MM TOLERANCES EXCEPT AS NOTED		INCHES		HOLES	
X	± .10	Ø X	± .10	Ø X	± .015
.XX	± .020	Ø XX	± .015	Ø XXX	± .010
.XXX	± .015	Ø XXX	± .010		
APPROVALS		DATE			
DRAWN	AV		12/3/10		
CHECKED	AH		12/3/10		
APPROVED					
SIZE	PART NO.	SCALE:	NTS	SHEET	1 OF 1
X	USB-A3-S-RAA				
REF:	S00042C				