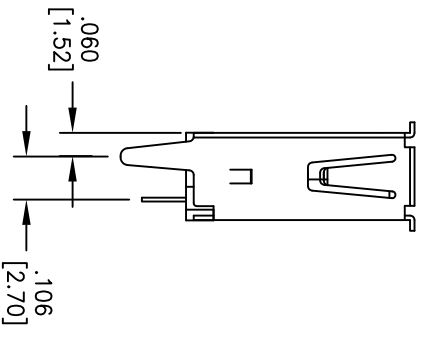
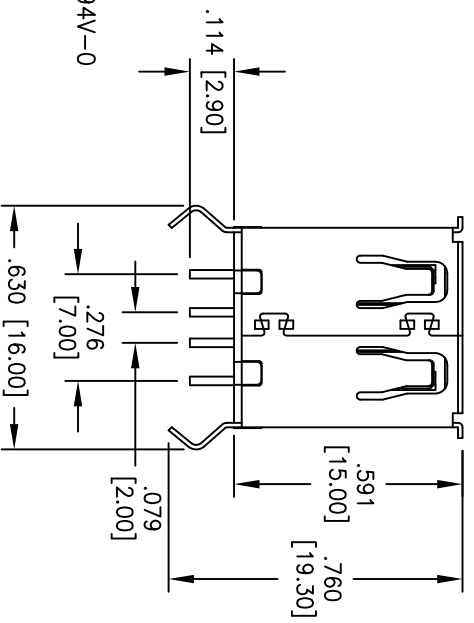
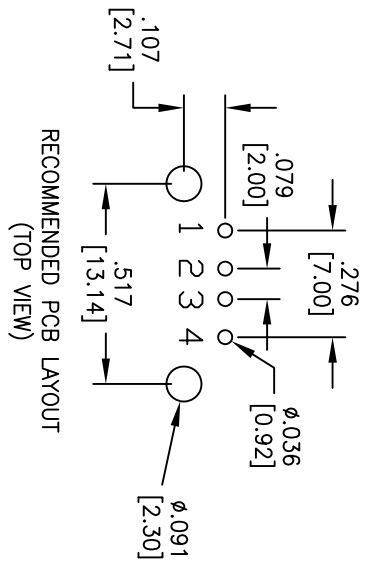
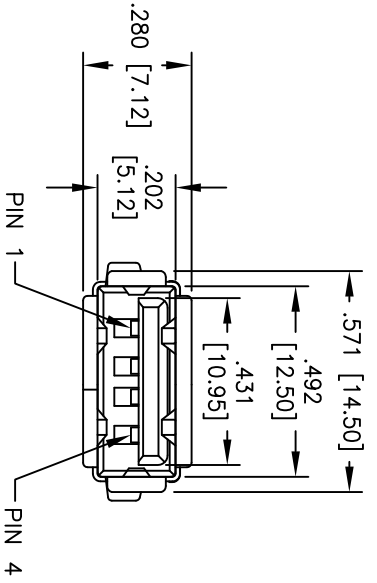


Rev	AWO #	Description	Date	Appr
-		RELEASED	12/3/04	
A		ADDED ROHS MARK	8/25/08	BAS
B		REDRAWN	12/08/09	

APPROVED: \_\_\_\_\_  
 DATE: \_\_\_\_\_ TITLE: \_\_\_\_\_



**SPECIFICATIONS:**

**Material:**  
 Insulator: PBT, Glass filled, rated UL 94V-0  
 Insulator color: White  
 Contacts: Phosphor Bronze  
 Shell: Steel, nickel plated  
 Plating:  
 Gold over Nickel underplate on contact area, Tin over Copper underplate on PCB tails

**Electrical:**  
 Operating voltage: 30 VAC max.  
 Current rating: 1 Amp max.  
 Contact resistance: 30 mohms max.  
 Insulation resistance: 1000 Mohms min.  
 Dielectric withstanding voltage: 500 VAC for 1 minute  
 Temperature Rating:  
 Operating temperature: -20°C to +60°C

**Environmental:**  
 Lead free, RoHS compliant.  
 Recommended soldering temp: 235°C for 5 sec.



UNLESS OTHERWISE SPECIFIED ALL DIMENSIONS ARE INCHES [MM] TOLERANCES: EXCEPT AS NOTED INCHES 10 X ± .10 .XX ± .020 XXX ± .015		ØX ØXX ØXXX	±.10 ±.015 ±.010
APPROVALS		DATE	
DRAWN	SS	10/4/04	
CHECKED			
APPROVED			

**ADAM TECH**  
 909 Rahway Avenue, Union, NJ 07083  
 Phone: 908-687-5000 Fax: 908-687-5710

TITLE	UNIVERSAL SERIAL BUS SINGLE PORT, VERTICAL, PCB
SIZE	X
PART NO.	USB-A-S-VT-WT
REF:	S0005C
SCALE:	NTS
SHEET	1 OF 1
REV.	B