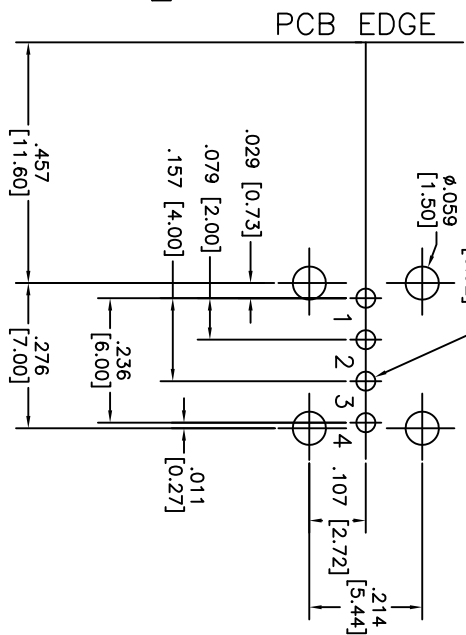
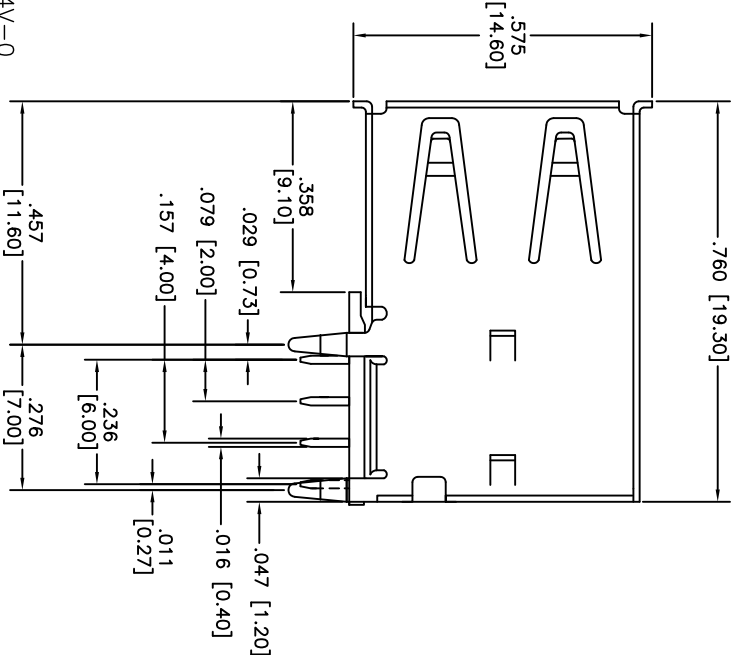
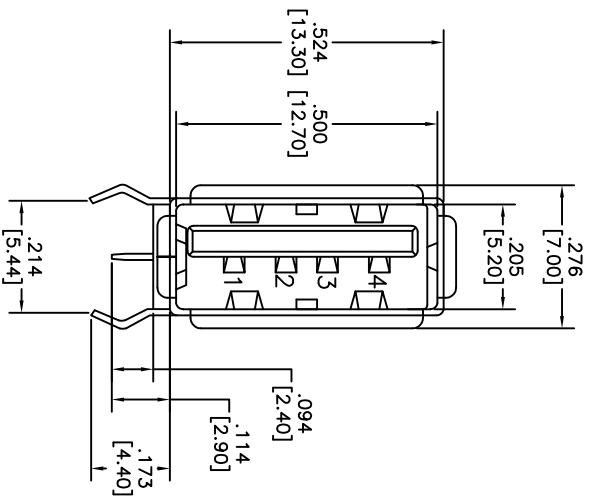


APPROVED: _____
 DATE: _____ TITLE: _____

Rev	AWO #	Description	Date	Appr
-		RELEASED	3/14/07	
A		REDRAWN	8/30/10	



RECOMMENDED PCB LAYOUT
 (BOTTOM VIEW)

SPECIFICATIONS:

Material: Insulator: Nylon 9T, glass reinforced, rated UL 94V-0
Insulator color: White
Contacts: Phosphor Bronze
Shell: Brass, Nickel plated
Plating: Gold flash over Nickel underplate on contact area, Tin over Copper underplate on PCB tails

Electrical:

Operating voltage: 30 VAC max.
 Current rating: 1.5 Amp max.
 Contact resistance: 30 mohms max.
 Insulation resistance: 1000 Mohms min. @ 500 VDC
 Dielectric withstanding voltage: 500 VAC for 1 minute
Environmental: Temperature Rating: Operating temperature: -20°C to +60°C
 Lead free, RoHS compliant.
 Recommended soldering temp: 260°C for 5 sec.

A

B

C

D

A

B

C

D

ADAM TECH

909 Railway Avenue, Union, NJ 07083
 Phone: 908-687-5000 Fax: 908-687-5710

TITLE: USB, TYPE A, RIGHT ANGLE UPRIGHT THRU-HOLE, SEL GOLD PLATED

UNLESS OTHERWISE SPECIFIED ALL DIMENSIONS ARE INCHES [MM]	
TOLERANCES: EXCEPT AS NOTED	
INCHES	HOLDS
.X ± .10	ØX ± .10
.XX ± .020	ØXX ± .015
.XXX ± .015	ØXXX ± .010
APPROVALS	
DRAWN	SS
CHECKED	
APPROVED	
DATE	3/14/07

SIZE	PART NO.	REV.
X	USB-A-S-RU-WT-HT	A
REF: S00095T	SCALE: NTS	SHEET 1 OF 1



6

5

4

3

2

1