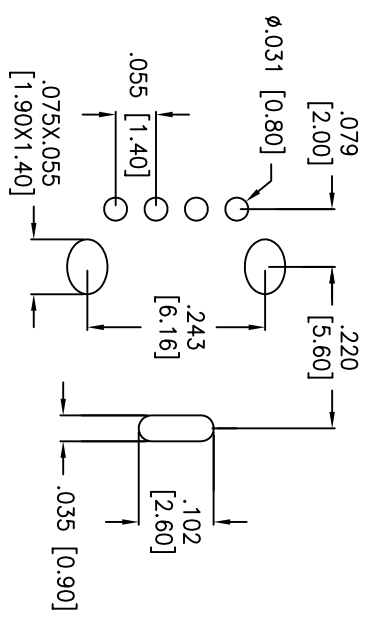
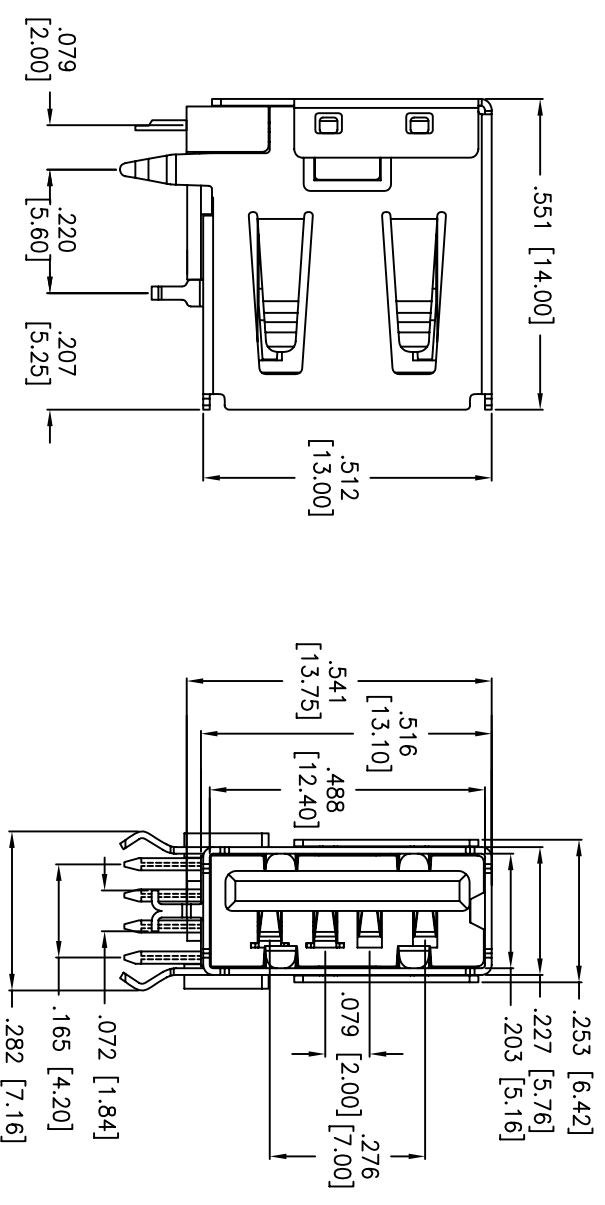
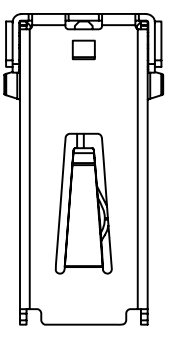


Rev	AWO #	Description	Date	Appr
-		RELEASED	8/01/08	

APPROVED: \_\_\_\_\_  
 DATE: \_\_\_\_\_ TITLE: \_\_\_\_\_



Recommended PCB Layout

**SPECIFICATIONS:**

**Material:**  
 Insulator: PBT, Glass filled, rated UL 94V-0  
 Contacts: Phosphor Bronze  
 Shell: Brass  
**Plating:**  
 Gold flash over Nickel underplate on contact area, Tin over  
 Copper underplate on PCB tails

**Electrical:**  
 Current rating: 1 Amp max.  
 Contact resistance: 30 mohms max. @ DC100 mA  
 Insulation resistance: 500 Mohms min. @ 500 VDC  
 Dielectric withstanding voltage: 500 VAC for 1 minute  
**Temperature Rating:**  
 Operating temperature: -40°C to +85°C

**Environmental:**  
 Lead free, RoHS compliant.  
 Recommended soldering temp: 235°C for 5 sec.



UNLESS OTHERWISE SPECIFIED ALL DIMENSIONS ARE INCHES [MM]	
TOLERANCES: EXCEPT AS NOTED	
INCHES	HOLES
.XX ± .10	ØXX ± .015
.XX ± .020	ØXX ± .010
.XXX ± .015	ØXXX ± .010
APPROVALS	DATE
DRAWN DY	8/01/08
CHECKED	
APPROVED	

**ADAM TECH**  
 909 Rahway Avenue, Union, NJ 07083  
 Phone: 908-687-5000 Fax: 908-687-5710

TITLE: UNIVERSAL SERIAL BUS, SINGLE PORT,  
 R / A, PCB, TERMINALS HORIZONTAL

SIZE	PART NO.	SCALE:	SHEET	REV.
X	USB-A-S-RU-TH	NTS	1 OF 1	-