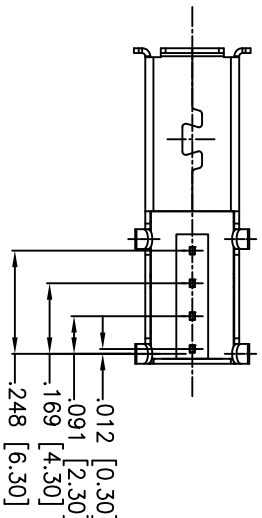
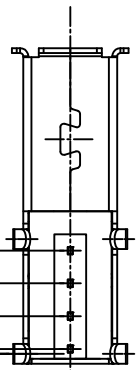
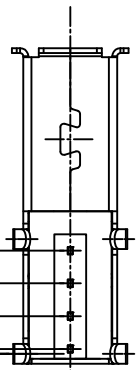
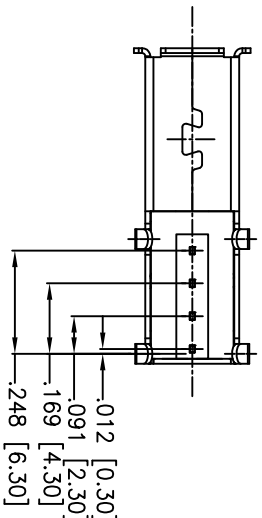
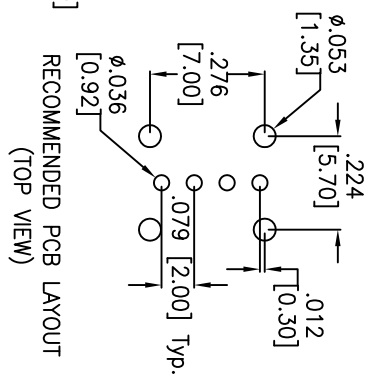
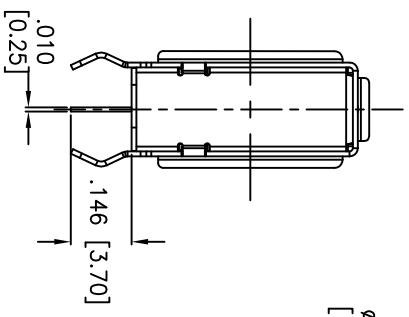
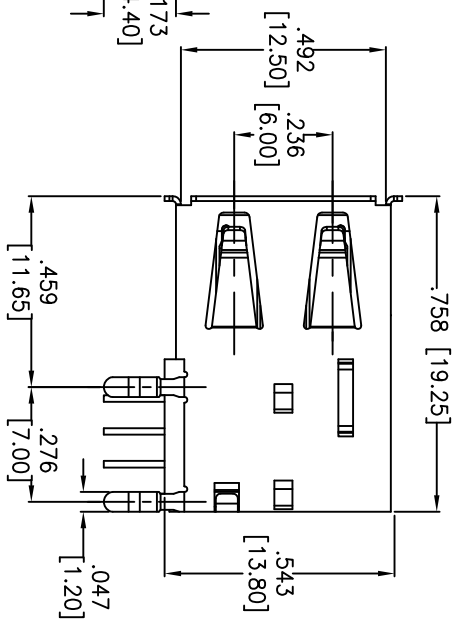
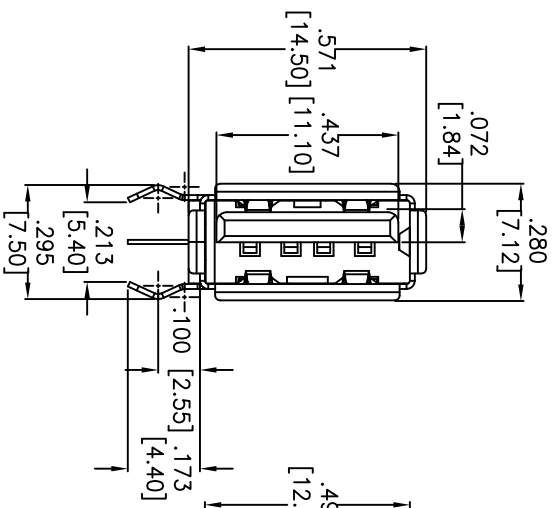
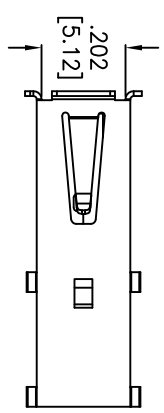


Rev	AWO #	Description	Date	Appr
-		RELEASED	9/18/09	

APPROVED: \_\_\_\_\_ TITLE: \_\_\_\_\_  
 DATE: \_\_\_\_\_



**SPECIFICATIONS:**  
 Material:  
 Insulator: PBT, Glass filled, rated UL 94V-0  
 Contacts: Brass  
 Back Shell: SPCC, Nickel plated  
 Up Shell: Brass, Nickel plated  
 Plating:  
 Gold flash over Nickel underplate overall

**Electrical:**  
 Current rating: 1.5 Amp @ 250V AC  
 Voltage rating: 30V  
 Contact resistance: 30 mohms max  
 Insulation resistance: 1000 Mohms min  
 Dielectric withstanding voltage: 500 VAC for 1 minute  
 Temperature Rating:  
 Operating temperature: -20°C to +60°C

**Environmental:**  
 Lead free, RoHS compliant.  
 Recommended soldering temp: 235°C for 5 sec.



UNLESS OTHERWISE SPECIFIED ALL DIMENSIONS ARE INCHES [MM]	
TOLERANCES: EXCEPT AS NOTED	
INCHES	HOLES
.XX ± .10	ØXX ± .10
.XX ± .020	ØXX ± .015
.XXX ± .015	ØXXX ± .010
APPROVALS	DATE
DRAWN DY	9/18/09
CHECKED	
APPROVED	

**ADAM TECH**  
 909 Railway Avenue, Union, NJ 07083  
 Phone: 908-687-5000 Fax: 908-687-5710

TITLE: UNIVERSAL SERIAL BUS, SINGLE PORT,  
 RIGHT ANGLE, PCB TYPE

SIZE	PART NO.	REV.
X	USB-A-S-RU-145	-
REF: S00005C	SCALE: NTS	SHEET 1 OF 1