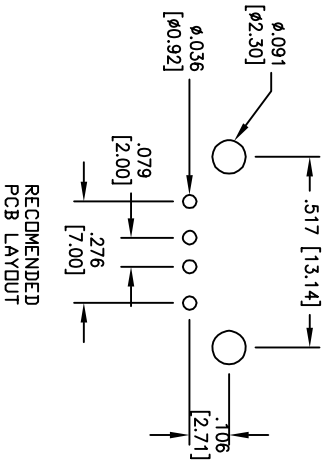
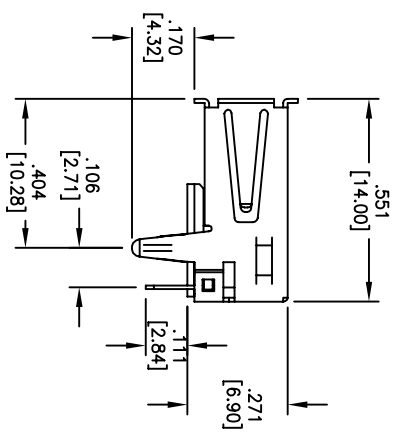
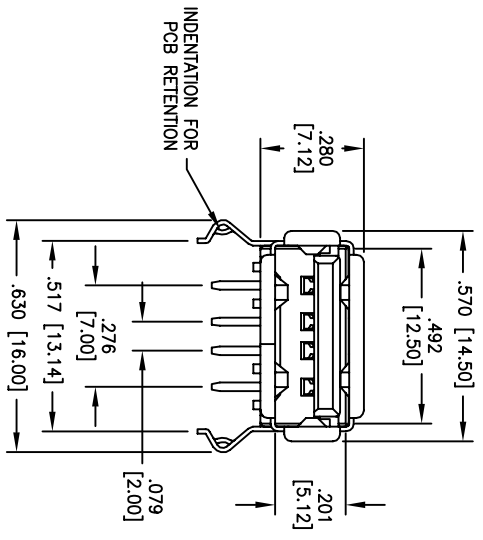


APPROVED: \_\_\_\_\_  
 DATE: \_\_\_\_\_ TITLE: \_\_\_\_\_

Rev	AWO #	Description	Date	Appr
-		RELEASED	12/3/04	
A		RE-DESIGNED SHELL AND INSULATOR	1/06/06	



**SPECIFICATIONS:**

**Material:**  
 Insulator: PBT, Glass filled, rated UL 94V-0  
 Contacts: Phosphor Bronze  
 Shell: Steel, nickel plated  
**Plating:**  
 Gold flash over Nickel underplate on contact area, Tin over Copper underplate on PCB tails

**Electrical:**  
 Operating voltage: 250 VAC max.  
 Current rating: 1 Amp max.  
 Contact resistance: 30 mohms max.  
 Insulation resistance: 100 Mohms min. @ 500 VDC  
 Dielectric withstanding voltage: 250 VAC for 1 minute  
**Temperature Rating:**  
 Operating temperature: -40°C to +85°C  
**Environmental:**  
 Lead free, RoHS compliant.  
 Recommended soldering temp: 235°C for 5 sec.



**ADAM TECH**

909 Railway Avenue, Union, NJ 07083  
 Phone: 908-687-5000 Fax: 908-687-5710

TITLE: UNIVERSAL SERIAL BUS  
 SINGLE PORT, RIGHT ANGLE, PCB

UNLESS OTHERWISE SPECIFIED ALL DIMENSIONS ARE IN INCHES [MM]	
TOLERANCES: EXCEPT AS NOTED	
INCHES	HOLE
.X ± .10	± .10
.XX ± .020	± .015
.XXX ± .015	± .010
APPROVALS	
DATE	DATE
DRAWN	SS
CHECKED	
APPROVED	

SIZE	PART NO.	SCALE	SHEET
X	USB-A-S-RA-WT	MKS	1 OF 1
REV.			
A			