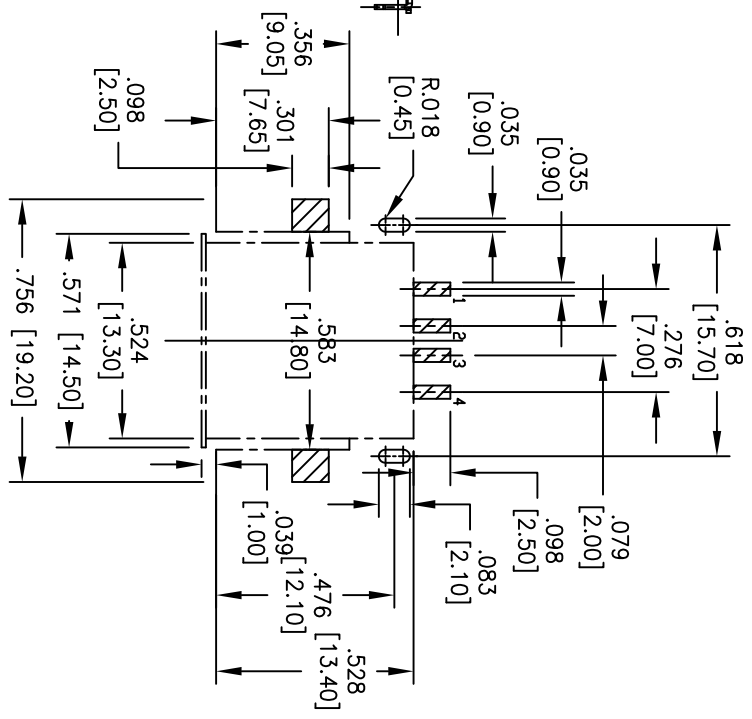
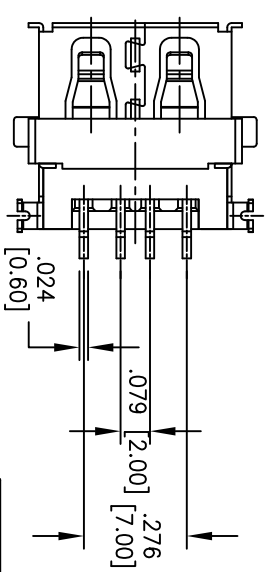
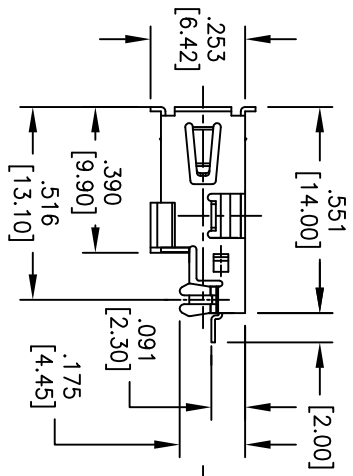
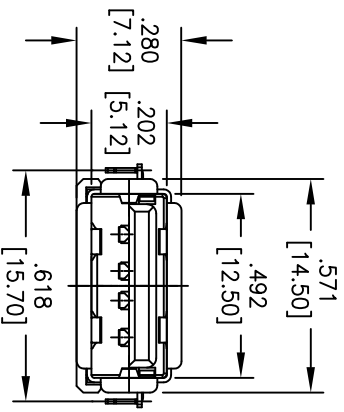
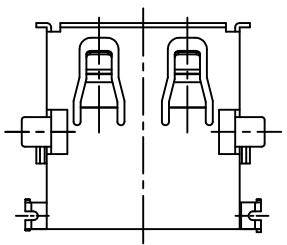


Rev	AWO #	Description	Date	Appr
-		RELEASED	6/30/10	

APPROVED: \_\_\_\_\_ TITLE: \_\_\_\_\_  
 DATE: \_\_\_\_\_



RECOMMENDED PCB LAYOUT  
(TOP VIEW)

**SPECIFICATIONS:**

- Material: Insulator: LCP, rated UL 94V-0
- Insulator color: Black
- Contacts: Phosphor Bronze
- Shell: Brass, nickel plated
- Plating: Gold over Nickel underplate on contact area.

- Electrical: Operating voltage: 30 VAC max.
- Current rating: 1.5 Amp max.
- Contact resistance: 30 mohms max.
- Insulation resistance: 1000 Mohms min.
- Dielectric withstanding voltage: 500 VAC for 1 minute
- Temperature Rating: Operating temperature: -20°C to +60°C

- Environmental: Lead free, RoHS compliant.
- Recommended soldering temp: 260°C for 5 sec.



**ADAM TECH**

909 Railway Avenue, Union, NJ 07083  
 Phone: 908-687-5000 Fax: 908-687-5710

TITLE: UNIVERSAL SERIAL BUS, TYPE A  
 FEMALE, RIGHT ANGLE, SMT TYPE

UNLESS OTHERWISE SPECIFIED ALL DIMENSIONS ARE IN INCHES [MM] TOLERANCES: EXCEPT AS NOTED	
.X	±.10
.XX	±.020
.XXX	±.015
ØXX	±.015
ØXXX	±.010
APPROVALS	
DRAWN	DY
CHECKED	
APPROVED	
DATE	6/30/10

SIZE	PART NO.	REV.
X	USB-A-S-RA-EH1-SMT	-
REF: S0005C	SCALE: MTS	SHEET 1 OF 1