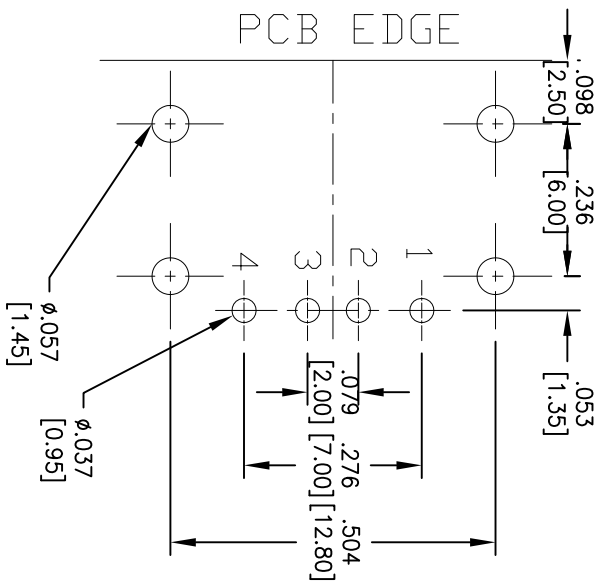
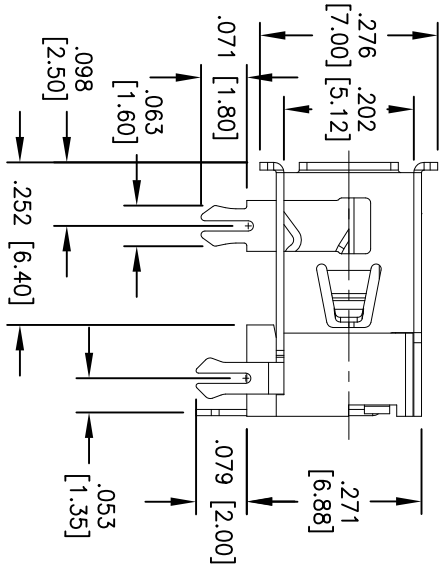
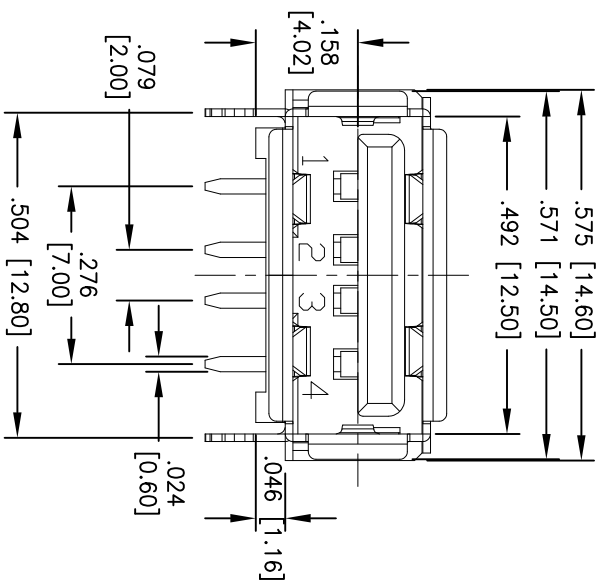


Rev	AWO #	Description	Date	Appr
-		RELEASED	12/09/09	

APPROVED: _____ TITLE: _____ DATE: _____



RECOMMENDED PCB LAYOUT

B SPECIFICATIONS:

Material: Insulator: PBT, Glass filled, rated UL 94V-0
 Insulator color: Black
 Contacts: Phosphor Bronze
 Shell: Brass, nickel plated
 Plating: Gold over Nickel underplate on contact area, Tin over Copper underplate on PCB tails.

Electrical:

Operating voltage: 250 VAC max.
 Current rating: 1.5 Amp max.
 Contact resistance: 30 mohms max.
 Insulation resistance: 1000 Mohms min @500 VDC
 Dielectric withstanding voltage: 750 VAC for 1 minute
 Temperature Rating: Operating temperature: -20°C to +60°C

Environmental:

Lead free, RoHS compliant.
 Recommended soldering temp: 235°C for 5 sec.



UNLESS OTHERWISE SPECIFIED ALL DIMENSIONS ARE INCHES [MM] TOLERANCES: EXCEPT AS NOTED	
X .10	ϕ X .10
.XX ± .020	ϕ XX ± .015
.XXX ± .015	ϕ XXX ± .010
APPROVALS	
DRAWN AY	DATE 2/24/11
CHECKED JL	DATE 2/24/11
APPROVED	

ADAM TECH

909 Rahway Avenue, Union, NJ 07083
 Phone: 908-687-5000 Fax: 908-687-5710

TITLE: UNIVERSAL SERIAL BUS, TYPE A, PCB RIGHT ANGLE, DOUBLE BOARD LOCKS

SIZE X	PART NO. USB-A-S-RA-DBL	REV. -
REF: S00098T	SCALE: NTS	SHEET 1 OF 1