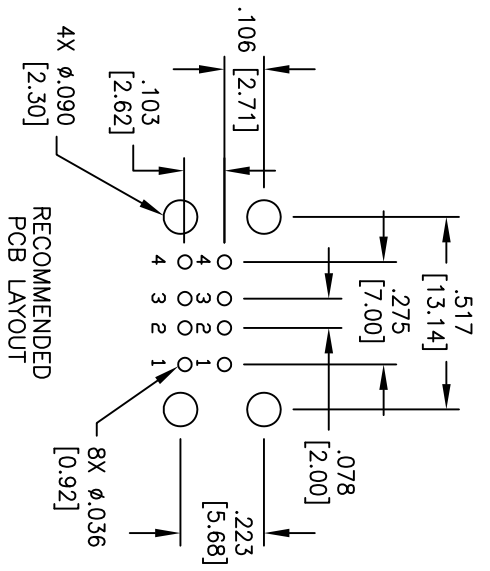
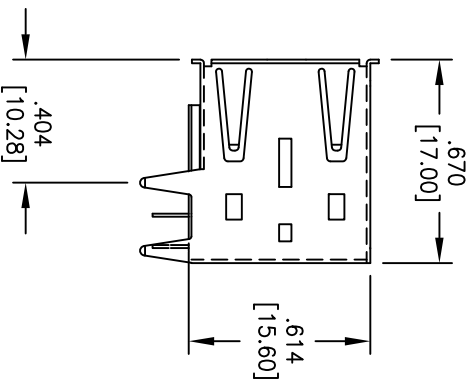
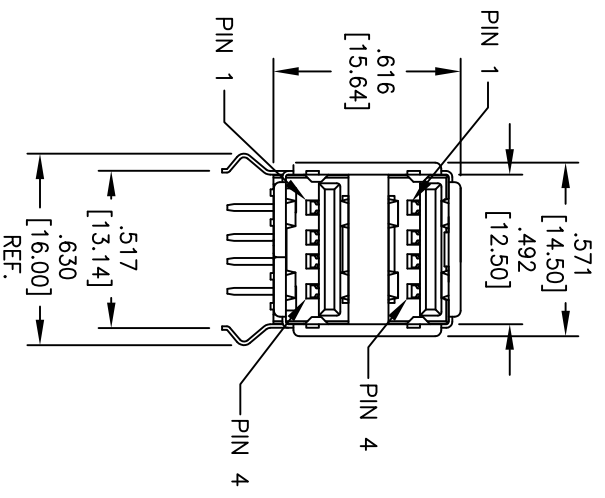


Rev	AWO #	Description	Date	Appr
-		RELEASED	6/19/08	

APPROVED: _____
 DATE: _____ TITLE: _____



Specifications:

- Material: Insulator: PBT, Glass filled, rated UL 94V-0
- Insulator color: White
- Contacts: Phosphor Bronze
- Shell: Steel, nickel plated
- Plating: Gold flash over Nickel underplate on contact area, Tin over Copper underplate on PCB tails
- Electrical: Operating voltage: 250 VAC max.
- Current rating: 1 Amp max.
- Contact resistance: 30 mohms max.
- Insulation resistance: 100 Mohms min. @ 500 VDC
- Dielectric withstanding voltage: 250 VAC for 1 minute
- Temperature Rating: Operating temperature: -40°C to +85°C

Environmental:

- Lead free, RoHS compliant.
- Recommended soldering temp: 235°C for 5 sec.

UNLESS OTHERWISE SPECIFIED ALL DIMENSIONS ARE INCHES [MM] TOLERANCES: EXCEPT AS NOTED	
INCHES	HOLES
X ± .10	ØXX ± .015
.XX ± .020	ØXXX ± .015
.XXX ± .015	ØXXXX ± .010
APPROVALS	
DATE	

DRAWN	SS	6/19/08
CHECKED		
APPROVED		

ADAM TECH
 909 Rahway Avenue, Union, NJ 07083
 Phone: 908-687-5000 Fax: 908-687-5710

TITLE	UNIVERSAL SERIAL BUS
SIZE	PART NO.
X	USB-A-D-RA-WT
REF:	SCALE: NTS
	SHEET 1 OF 1