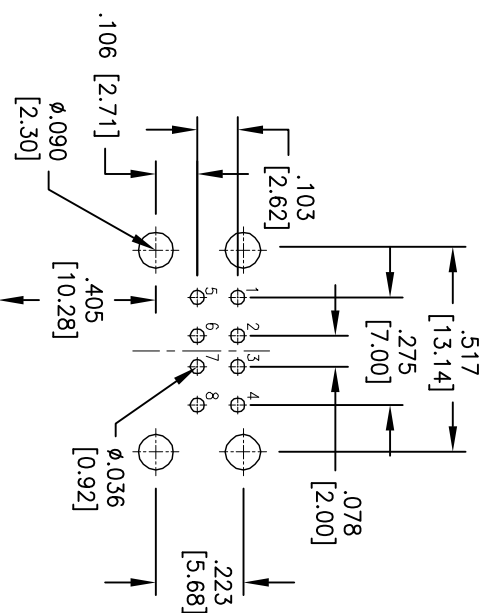
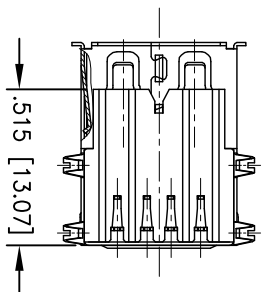
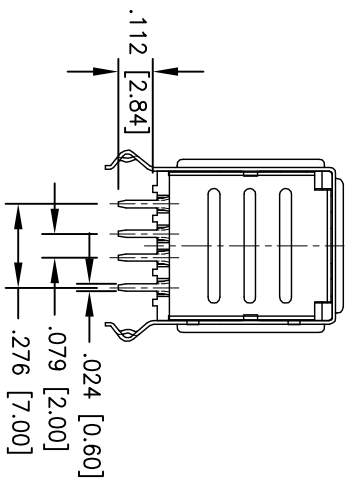
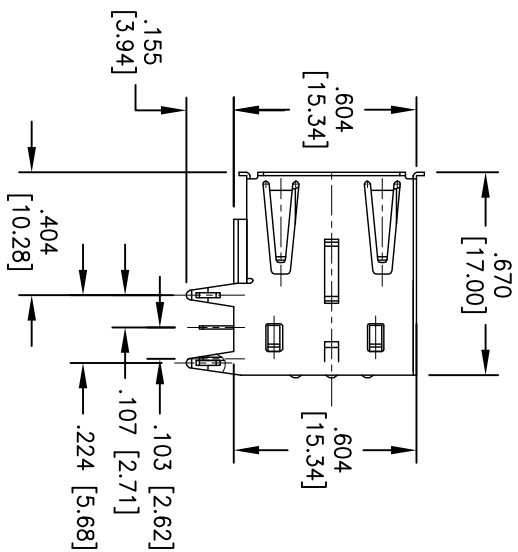
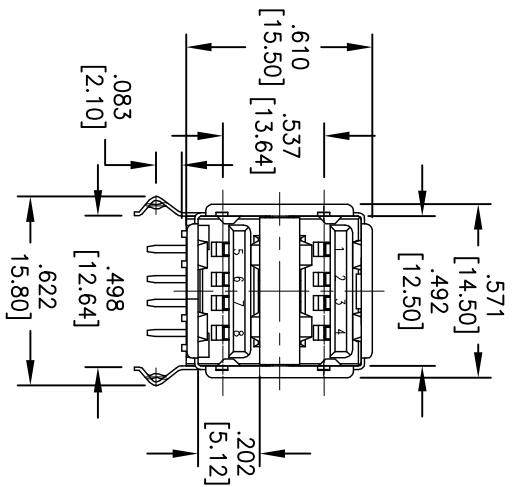


Rev	AWO #	Description	Date	Appr
-		RELEASED	3/25/11	

APPROVED: _____ TITLE: _____
 DATE: _____



RECOMMENDED PCB LAYOUT

SPECIFICATIONS:
 Material: Insulator: Hi-temp thermoplastic, rated UL 94V-0
 Insulator color: White
 Contacts: Brass
 Shell: Steel, nickel plated
 Plating: Gold flash over Nickel underplate overall
 Electrical: Operating voltage: 250 VAC max.
 Current rating: 1.5 Amp max.
 Contact resistance: 30 mohms max.
 Insulation resistance: 1000 Mohms min.
 Dielectric withstanding voltage: 500 VAC for 1 minute
 Temperature Rating: Operating temperature: -20°C to +60°C
 Environmental: Lead free, RoHS compliant.
 Recommended soldering temp: 260°C for 5 sec.

UNLESS OTHERWISE SPECIFIED
 ALL DIMENSIONS ARE INCHES [MM]
 TOLERANCES: EXCEPT AS NOTED
 INCHES HOLES
 .XX ± .10 ØXX ± .10
 .XX ± .020 ØXX ± .015
 .XXX ± .015 ØXXX ± .010

APPROVALS	DATE	TITLE	SIZE	PART NO.	SCALE	SHEET	OF	REV.
DRAWN	DY	3/25/11	X	USB-A-D-RA-WT-HT	NTS	1	OF 1	
CHECKED								
APPROVED								

ADAM TECH
 909 Railway Avenue, Union, NJ 07083
 Phone: 908-687-5000 Fax: 908-687-5710

UNIVERSAL SERIAL BUS
 DUAL PORT, RIGHT ANGLE, PCB



6 5 4 3 2 1