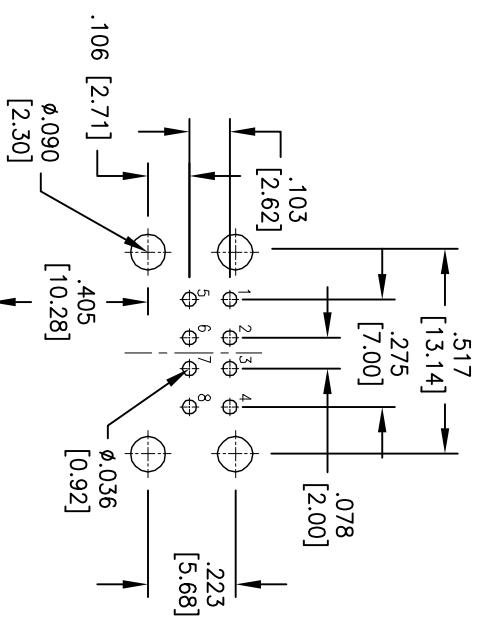
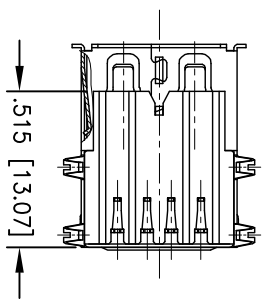
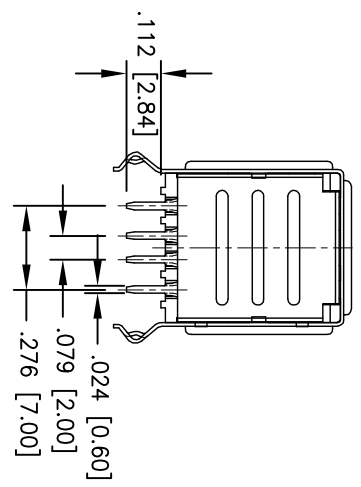
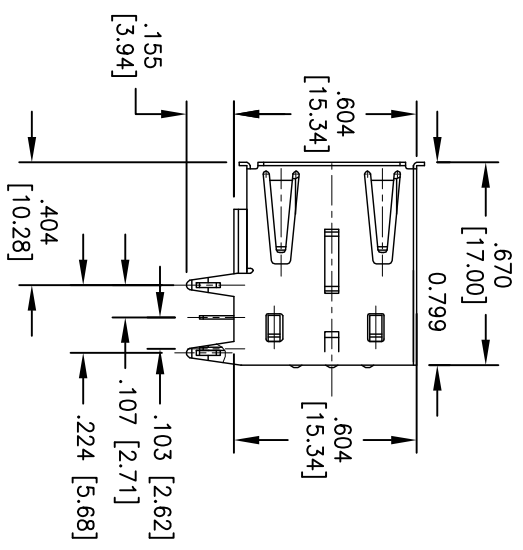
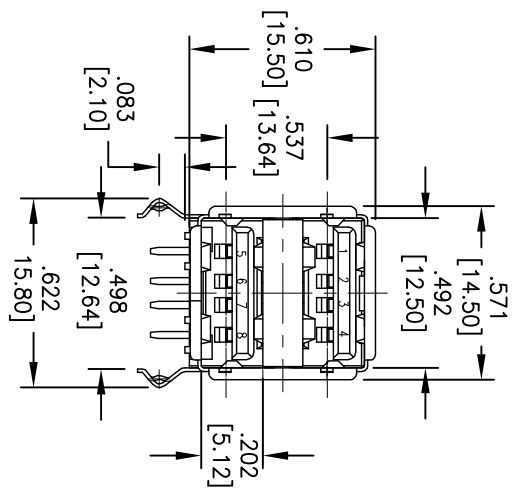


Rev	AWO #	Description	Date	Appr
-		RELEASED	10/6/10	

APPROVED: _____
 DATE: _____ TITLE: _____



RECOMMENDED PCB LAYOUT

SPECIFICATIONS:

- Material: Insulator: Hi-temp thermoplastic, rated UL 94V-0
- Insulator color: Black
- Contacts: Brass
- Shell: Steel, nickel plated
- Plating: Gold flash over Nickel underplate overall

- Electrical: Operating voltage: 250 VAC max.
- Contact rating: 1.5 Amp max.
- Contact resistance: 30 mohms max.
- Insulation resistance: 1000 Mohms min.
- Dielectric withstanding voltage: 500 VAC for 1 minute
- Temperature Rating: Operating temperature: -20°C to +60°C

Environmental: Lead free, RoHS compliant.
 Recommended soldering temp: 260°C for 5 sec.



UNLESS OTHERWISE SPECIFIED ALL DIMENSIONS ARE INCHES [MM]	
TOLERANCES: EXCEPT AS NOTED	
INCHES	HOLES
X ± .10	ØXX ± .015
XX ± .020	ØXXX ± .015
XXX ± .015	ØXXXX ± .010
APPROVALS	DATE
DRAWN AY	10/6/10
CHECKED AW	10/6/10
APPROVED	

ADAM TECH
 909 Rahway Avenue, Union, NJ 07083
 Phone: 908-687-5000 Fax: 908-687-5710

TITLE: UNIVERSAL SERIAL BUS
 DUAL PORT, RIGHT ANGLE, PCB

SIZE X	PART NO.	SCALE: NTS	SHEET 1 OF 1
REF: S00005C	USB-A-D-RA-HT		