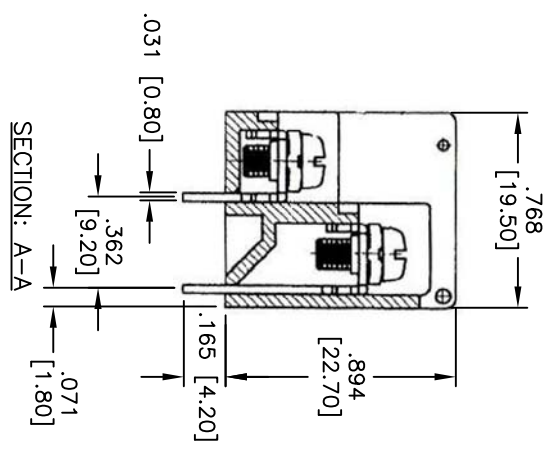
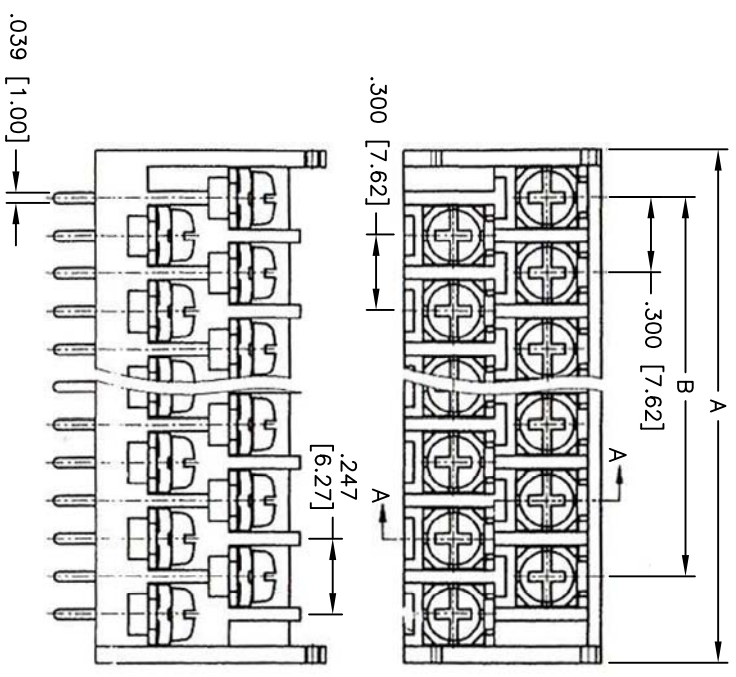


Rev	AWO #	Description	Date	Appr
-		RELEASED	5/20/10	

APPROVED: \_\_\_\_\_  
 DATE: \_\_\_\_\_ TITLE: \_\_\_\_\_



A = .300 [7.62] x No. of Spaces + .539 [13.70]  
 B = .300 [7.62] x No. of Spaces

**SPECIFICATIONS:**  
 Material: Insulator: PBT, rated UL 94V-2  
 Insulator color: Black  
 Screw: M3, Steel, Nickel plated  
 Contact: Brass, Tin plated  
 Electrical: Insulation resistance: 1000 Mohms min @ DC500V  
 Dielectric withstanding voltage: AC2000V at 1 minute  
 Mechanical: Wire range: 22 - 14 AWG  
 Temperature Rating: Operating temperature: -40°C to +130°C  
 Environmental: Lead free, RoHS compliant  
 Recommended soldering temp: 235°C for 5 seconds



UNLESS OTHERWISE SPECIFIED  
 ALL DIMENSIONS ARE INCHES [MM]  
 TOLERANCES: EXCEPT AS NOTED  
 INCHES HOLS  
 .X ± .10 ØX ± .10  
 .XX ± .020 ØXX ± .015  
 .XXX ± .015 ØXXX ± .010

**ADAM TECH**  
 909 Rahway Avenue, Union, NJ 07083  
 Phone: 908-687-5000 Fax: 908-687-5710  
 TITLE: .300 [7.62] CENTERLINE BARRIER BLOCK,  
 PCB TAILS, BARRIER ENDS

DRAWN	DY	5/20/10	DATE
CHECKED			
APPROVED			

SIZE	PART NO.	REV.
X	TBS-XX-01-B	
REF: S00031T	SCALE: NTS	SHEET 1 OF 1